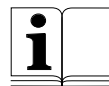
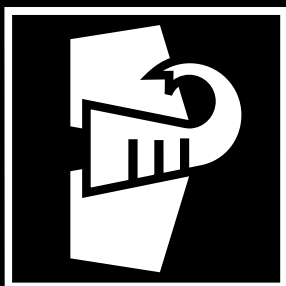


WERKU®



ENGLISH
ESPAÑOL
DEUTSCH
FRANÇAIS
NEDERLANDS
PORTUGUÊS



WK500740

CE 1.5HP  **3-4**
BAR **600^{ML}**  **1.7^{mm}** **HVLP-I**

ENG Paint spray gun ESP Pistola pintar DEU Farbspritzpistole
FRA Pistolet peinture NED Verfspuitpistool POR Pistola pintar

CE DECLARATION CONFORMITY.

► Werku® declares that the paint spray gun **WK500740** is in accordance with the European Directives and Standards 2006/42/CE and EN1953:1998.



La Coruña, 01/01/2015.

Luís Casal

Technical Director

TECHNICAL CHARACTERISTICS.

► Compressor 1.5 hp ► Working pressure 3-4 bar
► Maximum pressure 8 bar ► Air inlet 1/4" ► Paint transfer >70% ► Air consumption 175 l/min ► Hose diameters 8 x 15 mm ► Nozzle diameter 1.7 mm
► Cup capacity 600 ml ► Net weight 0.7 kg

SAFETY INSTRUCTIONS.

► Read all security warnings and all instructions
► Failure to follow all warnings and instructions listed below may result in electrical shock, fire and/or serious injury ► Keep all warnings and all instructions for future reference ► Accidents can be avoided in many cases by recognizing a potentially hazardous situation before it occurs and by observing appropriate safety procedures ► Do not use this paint spray gun for other applications than those specified in this manual.

WORK AREA SAFETY.

► Keep work area clean and well lit ► Cluttered and dark areas invite accidents ► Do not handle pneumatic tools in explosive atmospheres, such as in the presence of flammable liquids, gases or dusts ► Keep away from children and curious while operating a pneumatic tool ► Distractions can cause you to lose control.

PERSONAL SAFETY.

► Stay alert, watch what you are doing and use common sense when operating a pneumatic tool
► Do not use a pneumatic tool while tired or under the influence of drugs, alcohol or medicines ► A moment of inattention while operating pneumatic tools may cause damage serious personal.

USE PPE'S.

► Use protection glasses according ► Use protection masks according ► If required by the type of work, use other precise PPE.

DO NOT WORK ON TIPTOES.

► Keep your feet on the ground and balance at all times ► This enables better control of the pneumatic tool in unexpected situations.

DRESS PROPERLY.

► Do not wear loose clothing or jewelry ► Keep your hair, clothing and gloves away from moving parts ► Loose clothes, jewelry or long hair can be caught in moving parts ► If there are devices for connecting means for extracting and collecting dust, make sure they are connected and properly used ► The use of these devices can reduce dust related hazards.

CONNECTIONS AND AIR TYPE.

► Quick connections should be used for connections with the compressed air system and male non-watertight sleeve must be installed in the paint spray gun so that no air is compressed after the disconnection ► Never use oxygen, combustible gases or any other bottled gases ► Never use oxygen tanks, fuel gas, etc. as a power source for the paint spray gun ► Use of these gases or other bottled gases is dangerous, because the paint spray gun could explode ► Use only clean, dry and regulated compressed air.

MAXIMUM PRESSURE.

► The paint spray gun should be connected to a source of compressed air if the pressure does not exceeded more than 10% the maximum allowable pressure of the paint spray gun; in case of higher pressures a pressure reducing valve should be installed, including a valve-up downstream in the supply of compressed air.

DO NOT POINT THE PAINT SPRAY GUN.

► Never aim it at yourself or others, being the paint spray gun loaded or not ► Never play with the paint spray gun, use the paint spray gun as a professional tool.

STORE PNEUMATIC TOOLS.

► Store pneumatic tools out of reach of children and not allow the handling of pneumatic tools to people unfamiliar with the tools or these instructions ► Pneumatic tools are dangerous in the hands of untrained users.

MAINTENANCE.

► Check moving parts for misalignment or binding, there are no broken parts or other conditions that may affect the operation of pneumatic tools ► Pneumatic tools are repaired before use when they are damaged ► Many accidents are caused by poorly maintained pneumatic tools ► Use pneumatic tools, accessories and tool tips, etc. according to these instructions and in the manner provided for the particular type of pneumatic tool, taking into account the conditions work and work to develop ► The use of the pneumatic tool for applications other than those intended could result in a dangerous situation ► Please check your pneumatic tool serviced by a Werku® official repair service using only identical replacement parts ► This will ensure the safety of the pneumatic tool is maintained.

CHECK THE GOOD CONDITION OF THE PAINT SPRAY GUN.

► Make sure that all the screws in the paint spray gun are perfectly tightened ► In cold climates or when the paint spray gun has not been used for a period, allow the paint spray gun to warm up by leaving it to run empty for a few minutes, to ensure that all internal components are perfectly lubricated ► Make sure that the possible installed accessories are perfectly fitted in place.

BEFORE STARTING WORK.

► Make sure that the suction paint spray gun is firmly supported before using ► Check that no one is standing beneath you when using the suction paint spray gun in high areas ► Keep your hands away from all moving parts of the suction paint spray gun.

DURING THE OPERATION.

► Do not leave the suction paint spray gun operating without having it firmly fixed ► Only turn it on when you are sure you have full control over it ► Do not point the suction paint spray gun at

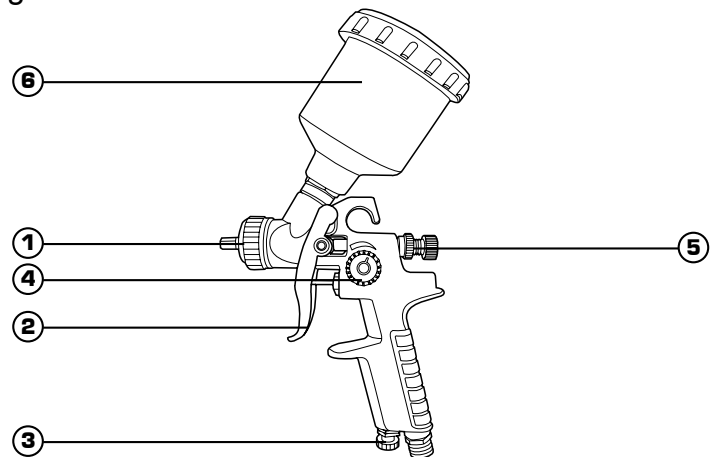
anyone while in use ► When operating the suction paint spray gun will produce vibrations ► The screws may gradually come loose, and possibly cause faults or accidents ► Keep your hands away from all moving parts of the suction paint spray gun.

AT FINISH WORKING.

► Do not touch the possible accessories installed in the suction paint spray gun after use ► It may be hot and cause burns ► Some materials worked with may contain chemicals or toxic components ► Avoid inhaling these substances or allowing them to come into contact with your skin ► Use PPE designed to prevent and protect against incidents of this kind.

DESCRIPTION OF THE PRODUCT.

► The paint spray gun has been designed to carry out jobs of painting with compressed air ► Refer this plan to familiarize yourself with the paint spray gun before use.



1. Spray direction control.
2. Trigger.
3. Air pressure control.
4. Spray control.
5. Nozzle regulator.
6. Cup.

USE INSTRUCTIONS .

► Before putting the paint spray gun into operation, it is advisable to read all the indicated instructions ► Likewise, accident prevention rules, regulations and guidelines for work centres and current laws and restrictions must be taken into account ► The paint spray gun must be used only by personnel who have been trained adequately in their handling, and only for the uses for which it has been designed.

COMPRESSOR.

► Do not use another power source than an air compressor ► The paint spray gun is designed for using with an air compressor, never use carbon dioxide, oxygen or any other bottle gas.

OPERATION.

► The compressed air enters through the air inlet, which is screwed on to the grip of the paint spray gun (1) ► By pressing the trigger, the air valve opens to the first pressure point (initial air control) (2) ► Pressing down further on the trigger, a jet of paint squirts through the fluid outlet (3) ► The paint runs through by gravity without any pressure, and is pulverised by the compressed air (4).

NOZZLE REGULATOR.

► The nozzle regulator adjusts the amount of paint that is pulverised (5) ► For more paint, twist the nozzle regulator to the left (6) ► For less paint, twist the nozzle regulator control to the right (7).

SPRAY CONTROL.

► The spray control adjusts the width of the spray produced by the paint spray gun ► Twist the spray control to the right for wider coverage, or to the left for a narrower jet (8, 9) ► The spray control may be turned through a total of 360°, and when loosened the paint jet may be directed as required.

START-UP.

► Fully close the nozzle regulator (5) ► Connect the paint spray gun to the compressed air supply (1) ► Press the trigger, first checking air output and then paint output (2) ► The paint spray gun must be adjusted depending on the type of paint used ► Open the fluid outlet control until obtaining an even spray.

IMPORTANT.

► Using products containing halogenated hydrocarbons may cause chemical reactions that lead to explosions ► When using solvents and detergents containing halogenated hydrocarbons, such as 1,1,1-trichloroethane and methylene chlorate, chemical reactions may occur in the tank, gun and galvanised parts (when 1, 1, 1-trichloroethane comes into contact with water droplets it produces chlorohydric acid) ► We recommend using products that do not contain these elements ► Before using the paint spray gun and its acces-

sories, these must be cleaned with cleaning solvent, to remove the protective film applied before packing ► Acid or alkaline products must not be used to clean the paint spray gun.

MAINTENANCE.

► Drain all condensation from the air compressed tanks and hoses (10).
► To do so, open the decompression taps and other drainage valves in the tanks.

IMPORTANT.

► The paint spray gun has been designed for a long working life with minimum maintenance ► Optimum use depends on correct care of the paint spray gun and regular cleaning ► The paint spray gun may be cleaned effectively using compressed air ► If compressed air is not available, use a brush to remove dust from the paint spray gun ► Certain cleaning agents and solvents damage plastic parts, among them are gasoline, carbon tetrachloride, chlorinated cleaning solvents, ammonia and household cleaners containing ammonia ► Do not use any of these to clean the paint spray gun.

ENVIRONMENT PROTECTION.

► The materials and components that have been used to manufacture this product can be re-used and recycled ► Werku® is adhered to an Integrated Management System that is in charge of the correct elimination of the residues of this product. ► Do not eliminate this product with domestic residues ► Werku® offers to its clients a free collection service of these residues through any of its sale points, or in the collection points established by the Integrated Management System or in the recycling point of your locality.

WARRANTY AND TECHNICAL SERVICE.

► Apart from the legal guarantee, Werku® offers an additional commercial guarantee ► This commercial guarantee covers the repair of all defects found due to faults in the materials or manufacture ► For this cover to be effective it is necessary for these defects to appear within the validity period ► The consumer is entitled to free repair of all defects that Werku® recognises as included in the commercial guarantee (shipping costs, labour costs and materials included) as chosen by Werku®, either via the repair or by replacement (if

necessary with a later model) ▶ This commercial guarantee does not affect consumer's rights established by law according to Directive 1999/44/CE ▶ This commercial guarantee is valid for 24 months ▶ If this product is destined for professional or industrial use, the validity period is 12 months ▶ The validity period starts on the date of purchase by the first consumer ▶ This date is shown on the invoice or receipt of purchase ▶ Actions for claims against this commercial guarantee expire six months from the end of the validity period ▶ Any claims arising from this commercial guarantee must be presented to the distributor or the Technical Assistance Service ▶ To do so you must present this guarantee correctly completed and stamped by the distributor, together with the sale invoice or receipt ▶ In order to require any information in relation to this commercial guarantee, the buyer and/or distributor may contact the Technical Assistance Service by telephone on +34 981 648 119, or by e-mail at info@werku.com ▶ This commercial guarantee does not cover defects caused by parts that have worn out from use other types of natural wear, defects caused by failure to observe the instructions for use and operation, or for applications other than those for which this product is intended, abnormal environmental factors, overloading, or unsuitable maintenance or cleaning, faults caused by the use of spare parts, accessories or replacements that are not original Werku® parts, if the product has been totally or partially disassembled, modified or repaired by personnel other than that of the Technical Assistance Service or minimum and irrelevant irregularities for suitable use or operation ▶ Repairs and replacements will not extend or renew the validity period of this commercial guarantee ▶ The replaced parts will become the property of Werku® ▶ If the buyer sends the product to the Technical Assistance Service, and it fails to comply with the conditions of this commercial guarantee, all expenses and transportation risks shall be paid by the buyer ▶ This commercial guarantee is only valid within the territory of the European Union ▶ The company responsible for the compliance of this Werku® commercial guarantee is Rico-Yáñez SA.

TECHNICAL ADVICE.

▶ The technical department of Werku® is at your disposal to resolve any questions you may have regarding to its products ▶ If you wish to contact our team, send an e-mail to info@werku.com ▶ Werku® is a comercial brand of Rico-Yáñez SA.

DECLARACIÓN CONFORMIDAD CE.

► Werku® declara que la pistola de pintar **WK500740** cumple las Directivas y Normativas Europeas 2006/42/CE y EN1953:1998.

La Coruña, 01/01/2015.

Luís Casal
Director Técnico

CARACTERÍSTICAS TÉCNICAS.

► Compresor 1.5 hp ► Presión trabajo 3-4 bar
► Presión máxima 8 bar ► Entrada aire 1/4"
► Transferencia pintura > 70% ► Consumo aire 175 l/min ► Diámetros manguera 8 x 15 mm
► Diámetro paso fluido 1.7 mm ► Capacidad depósito 600 ml ► Peso neto 0.7 kg

INSTRUCCIONES DE SEGURIDAD.

► Lea todas las advertencias de seguridad y todas las instrucciones ► La no observación de todas las advertencias e instrucciones relacionadas a continuación puede dar como resultado un choque eléctrico, fuego y/o una lesión seria ► Guarde todas las advertencias y todas las instrucciones para una referencia futura ► Los accidentes podrán evitarse en muchos casos dándose cuenta de una situación peligrosa antes de que se produzca, y observando fielmente los procedimientos de seguridad apropiados ► No utilice nunca esta pistola de pintar para aplicaciones que no sean las especificadas en este manual.

SEGURIDAD DEL AREA DE TRABAJO.

► Mantenga el área de trabajo limpia y bien iluminada ► Las áreas desordenadas y oscuras provocan accidentes ► No maneje herramientas neumáticas en atmósferas explosivas, tales como en presencia de líquidos, gases o polvos inflamables ► Mantenga alejados a los niños y curiosos mientras maneja una herramientas neumática ► Las distracciones pueden causarle la pérdida del control.

SEGURIDAD PERSONAL

► Esté alerta, vigile lo que está haciendo y use el sentido común cuando maneje una herramientas

neumática ► No use una herramientas neumática cuando esté cansado o bajo la influencia de drogas, alcohol o medicamentos ► Un momento de distracción mientras maneja herramientas neumáticas puede causar un daño personal serio.

USE EPIS.

► Use gafas de protección según EN166 ► Use mascarilla de protección según EN149 ► Si el tipo de trabajo a realizar lo requiere, utilice otros EPIS precisos.

NO TRABAJE DE PUNTILLAS.

► Mantenga los pies bien asentados sobre el suelo y conserve el equilibrio en todo momento ► Esto permite un mejor control de la herramientas neumática en situaciones inesperadas.

VISTA ADECUADAMENTE.

► No vista ropa suelta o joyas ► Mantenga su pelo, su ropa y guantes alejados de las piezas en movimiento ► La ropa suelta, las joyas o el pelo largo pueden ser cogidos en las piezas en movimiento ► Si hay dispositivos para la conexión de medios de extracción y recogida de polvo, asegúrese de que éstos estén conectados y se usen correctamente ► El uso de estos dispositivos puede reducir los riesgos relacionados con el polvo.

ACOPLAMIENTOS Y TIPO DE AIRE.

► Los acoplamientos rápidos sólo se deben utilizar para la conexión con el sistema de aire comprimido y el manguito macho no estanco, se instala en la pistola de pintar de manera que no quede aire comprimido después de la desconexión ► No utilice nunca bombonas de gas ► No utilice nunca bombonas de oxígeno, gases combustibles, etc. como fuente de propulsión de esta pistola de pintar ► La utilización de estos gases o de otros gases embotellados es peligrosa, ya que la pistola de pintar podría explotar ► Utilice solamente aire comprimido limpio, seco y regulado.

PRESION MAXIMA.

► La pistola de pintar sólo se debe conectar a una fuente de aire comprimido si la presión no sobrepasa más de un 10% la presión máxima

admisible de la pistola de pintar; en el caso de presiones más elevadas se debe instalar una válvula reductora de presión, que incluya una válvula de seguridad aguas abajo, en el suministro de aire comprimido.

NO APUNTE CON LA PISTOLA DE PINTAR.

► No apunte nunca hacia sí mismo ni hacia otras personas ► No juegue nunca con la pistola de pintar, trate a la pistola de pintar como una herramienta de trabajo.

ALMACENE LAS HERRAMIENTAS NEUMATICAS.

► Almacene las herramientas neumáticas inactivas fuera del alcance de los niños y no permita el manejo de la herramienta a personas no familiarizadas con las herramientas neumáticas o con estas instrucciones ► Las herramientas neumáticas son peligrosas en manos de usuarios no entrenados.

MANTENIMIENTO.

► Compruebe que las partes móviles no estén desalineadas o trabadas, que no haya piezas rotas u otras condiciones que puedan afectar el funcionamiento de las herramientas neumáticas ► Las herramientas neumáticas se reparan antes de su uso, cuando están dañadas ► Muchos accidentes son causados por herramientas neumáticas pobremente mantenidas ► Use la herramientas neumática y accesorios de acuerdo con estas instrucciones y de la manera prevista para el tipo particular de herramientas neumática, teniendo en cuenta las condiciones de trabajo y el trabajo a desarrollar ► El uso de la herramientas neumática para aplicaciones diferentes de las previstas podría causar una situación de peligro ► Haga revisar su herramientas neumática por un servicio oficial de reparación Werku® usando solamente piezas de recambio idénticas ► Esto garantizará que la seguridad de la herramientas neumática se mantiene.

VIGILE EL BUEN ESTADO DE LA PISTOLA DE PINTAR.

► Revise que todos los tornillos de la pistola de pintar estén perfectamente apretados ► En

climas fríos o cuando la pistola de pintar haya estado sin uso durante largo tiempo, deje que la pistola de pintar se caliente un poco haciéndolo funcionar en vacío unos minutos para permitir una perfecta lubricación de los componentes internos ► Asegúrese de que los posibles accesorios instalados están perfectamente asentados en su posición.

ANTES DE EMPEZAR A TRABAJAR.

► Asegúrese siempre antes de utilizar la pistola de pintar que se encuentra firmemente apoyado ► Compruebe que nadie se encuentra bajo la zona de influencia de la pistola de pintar cuando lleve a cabo trabajos en zonas elevadas ► Aleje las manos de las partes en movimiento de la pistola de pintar.

DURANTE EL FUNCIONAMIENTO.

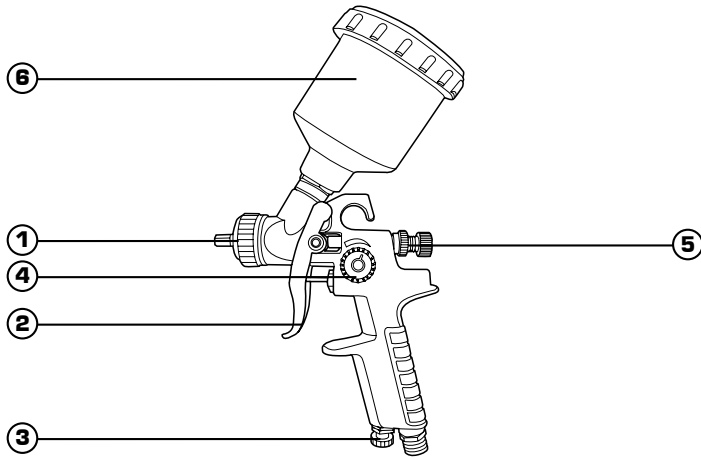
► No deje la pistola de pintar funcionando sin tenerlo bien sujeto ► Hágalo funcionar cuando esté seguro de que lo tiene plenamente controlado ► No apunte con la pistola de pintar a nadie durante su funcionamiento ► Durante la operación, la pistola de pintar puede producir vibración ► Los tornillos pueden ir aflojándose progresivamente pudiendo causar una avería o accidente ► Aleje las manos de las partes en movimiento de la pistola de pintar.

AL TERMINAR DE TRABAJAR.

► No toque los accesorios instalados en la pistola de pintar tras su uso ► Pueden estar muy calientes y causar una quemadura ► Algunos materiales sobre los que se trabaja pueden contener químicos o componentes que pueden ser tóxicos ► Tenga cuidado para prevenir la inhalación de estas sustancias o el contacto con la piel ► Utilice los EPIs diseñados para prevenir y protegerse de dichas incidencias.

DESCRIPCIÓN DEL PRODUCTO.

La pistola de pintar ha sido diseñada para realizar trabajos de pulverización de pintura con aire a presión ► Observe este esquema para familiarizarse con la pistola de pintar antes de utilizarla.



1. Regulador dirección abanico.
2. Gatillo.
3. Regulador presión aire.
4. Regulador abanico.
5. Regulador paso fluido.
6. Depósito.

INSTRUCCIONES DE USO.

► Antes de efectuar la puesta en marcha de la pistola de pintar, es aconsejable leer completa y minuciosamente todas las instrucciones que se indican ► Así mismo, deberán de tenerse en cuenta las normas para la prevención de accidentes, los reglamentos y directivas para los centros de trabajo, y las leyes y restricciones vigentes ► La pistola de pintar debe de ser utilizada únicamente por personas instruidas adecuadamente en su manejo y exclusivamente conforme a los fines previstos.

COMPRESOR.

► La pistola de pintar está diseñada para funcionar con compresor de aire, nunca use dióxido de carbono, oxígeno u otro gas de bombonas ► No use otra fuente de alimentación que no sea un compresor de aire.

FUNCIONAMIENTO.

► El aire comprimido necesario para pulverizar se carga por la entrada de aire, que está atornillada a la empuñadura de la pistola de pintar (1) ► Al accionar el gatillo, se abre la válvula de aire hasta el primer punto de presión (control de aire previo) (2) ► Al seguir apretando el gatillo, sale la aguja de pintura fuera del paso de fluido (3) ► El medio fluido sale entonces, por la fuerza de la gravedad, sin presión alguna, siendo pulverizado por el aire comprimido (4).

PASO FLUIDO.

► El regulador de paso de fluido ajusta la cantidad de pintura pulverizada (5) ► Para sacar más cantidad de pintura gire el regulador de paso de fluido hacia la izquierda (6) ► Para sacar menos cantidad de pintura gire el regulador de paso de fluido hacia la derecha (7).

REGULADOR DE ABANICO.

► El regulador de abanico ajusta la amplitud pulverizadora de la pistola de pintar ► Gire el regulador de abanico hacia la derecha para un abanico más abierto o hacia la izquierda para un abanico más cerrado (8, 9) ► El regulador de dirección de abanico puede girar hasta un total de 360°, al aflojarlo se puede orientar el abanico según se desee.

PUESTA EN MARCHA.

► Cierre el regulador de paso de fluido al máximo (5) ► Conecte la pistola de pintar a la red neumática (1) ► Accione el gatillo comprobando primero la salida de aire y después la de producto (2) ► La pistola de pintar debe de ser ajustada según el tipo de pintura utilizada ► Abra el regulador de paso fluido hasta que la pulverización sea uniforme.

IMPORTANTE.

► El uso de productos que contengan hidrocarburos halogenados puede originar reacciones químicas en forma de explosión ► Al utilizar disolventes y detergentes en base a hidrocarburos halogenados, como 1,1,1-tricloroetano y cloruro de metileno, puede haber reacciones químicas en el vaso, la pistola y las piezas galvanizadas (el 1,1,1-tricloroetano en presencia de trazas de agua produce ácido clorhídrico) ► Recomendamos el uso de productos que no los contengan ► Antes de la puesta en servicio de la pistola de pintar y sus accesorios deben limpiarse con disolvente de limpieza, con el fin de eliminar el tratamiento de protección aplicado antes de su embalaje ► En ningún caso utilizar ácidos, sosa (álcalis, decapantes, etc.) para la limpieza.

MANTENIMIENTO.

► Drene la condensación de los tanques compresores de aire y las mangueras (10) ► Para ello, abra los grifos de descompresión u otras válvulas de drenaje de los tanques ► La pistola

de pintar ha sido diseñada para funcionar durante mucho tiempo con un mínimo mantenimiento

► El funcionamiento óptimo depende del buen cuidado de la pistola de pintar y de una limpieza frecuente ► La pistola de pintar debe limpiarse de manera eficaz utilizando aire comprimido ► Utilice siempre gafas protectoras cuando trabaje con aire comprimido ► Si no puede utilizar aire comprimido, retire el polvo de la pistola de pintar sirviéndose de un cepillo ► Algunos productos de limpieza y disolventes dañan los componentes de plástico, entre los cuales se encuentran la gasolina, el tetraclorometano, los disolventes de limpieza clorados, el amoníaco y los productos de limpieza domésticos que contienen amoníaco ► No utilice ninguno de los productos mencionados para limpiar la pistola de pintar.

PROTECCIÓN DEL MEDIO AMBIENTE.

► Los materiales y componentes que han sido utilizados para fabricar este producto pueden ser reutilizados y reciclados ► Werku® está adherido a un Sistema Integrado de Gestión que se encarga de la correcta eliminación de los residuos de este producto ► No elimine este producto en la basura doméstica ► Werku® ofrece a sus clientes un servicio gratuito de retirada de dichos residuos en cualquiera de sus puntos de venta, en los puntos de recogida establecidos por el Sistema Integrado de Gestión o en los puntos limpios de su localidad.

GARANTÍA Y SERVICIO TÉCNICO.

► Además de la garantía legal, Werku® ofrece una garantía comercial adicional ► Esta garantía comercial cubre la reparación de los defectos que se aprecian debido a fallos en los materiales o en la fabricación ► Para ello es imprescindible que los defectos se produzcan dentro del periodo de validez ► El consumidor tiene derecho a la reparación gratuita de los defectos que Werku® reconoce como incluidos en la garantía comercial (gastos de envío, mano de obra y materiales incluidos), a elección de Werku®, bien mediante la reparación o mediante la sustitución (si es necesario por un modelo posterior) ► Esta garantía comercial no afecta los derechos del consumidor establecidos por ley según la Directiva 1999/44/CE ► El periodo de validez de esta garantía comercial es de 24 meses ► En caso de destinar el producto a un uso profesional o industrial, el periodo de validez es de 12 meses ► El periodo de validez

se inicia en la fecha de compra por el primer consumidor ► Esta fecha se refleja en la factura o ticket de compra ► La acción para reclamar el cumplimiento de esta garantía comercial prescribe a los seis meses desde la finalización del periodo de validez ► La reclamación en virtud de esta garantía comercial debe de presentarse al distribuidor o al Servicio de Asistencia Técnica ► Para ello es imprescindible presentar esta garantía debidamente cumplimentada y sellada por el distribuidor, junto con la factura o ticket de compra ► Para cualquier información referente a esta garantía comercial el comprador y/o el distribuidor puede ponerse en contacto con el Servicio de Asistencia Técnica a través del teléfono +34 981 648 119, o mediante correo electrónico a info@werku.com ► Quedan excluido de esta garantía comercial los defectos que han sido causados por piezas desgastadas por el uso u otro tipo de desgaste natural, los defectos que han sido causados por inobservancia o incumplimiento de las instrucciones de uso y funcionamiento, o de aplicaciones no conformes con el uso al que se destina este producto, o de factores medioambientales anormales, o de sobrecarga, de mantenimiento o limpieza inadecuados, defectos que han sido causados por el uso de accesorios, complementos o repuestos que no son piezas originales Werku®, si el producto ha sido total o parcialmente desmontado, modificado o reparado por personal ajeno al Servicio de Asistencia Técnica o las irregularidades mínimas e irrelevantes para el uso y funcionamiento adecuado ► Las reparaciones y sustituciones no prolongan ni renuevan el plazo de validez de esta garantía comercial ► Las piezas sustituidas pasan a ser propiedad de Werku® ► Si el comprador remite el producto al Servicio de Asistencia Técnica, no cumpliendo con las condiciones de esta garantía comercial, los gastos y riesgos del transporte corren a cargo del comprador ► Esta garantía comercial es válida dentro del territorio de la Unión Europea ► La empresa responsable del cumplimiento de esta garantía comercial Werku® es Rico-Yáñez SA.

ASESORAMIENTO TÉCNICO.

► Werku® pone a su disposición su departamento técnico para resolver cualquier duda que pueda surgir sobre sus productos ► En caso de que desee establecer contacto con nuestro equipo, remita un correo electrónico a la dirección info@werku.com ► Werku® es una marca comercial de Rico-Yáñez SA.

CE KONFORMITÄTSERKLÄRUNG.

► Werku® erklärt dass die Farbspritzpistole **WK500740** in Übereinstimmung ist mit den europäischen Richtlinien und Normen 2006/42/CE und EN1953:1998.



La Coruña, 01/01/2015.
Luís Casal
Technischer Direktor

TECHNISCHE DATEN.

► Kompressor 1,5 PS ► Arbeitsdruck 3-4 bar
► Maximale Druck 8 bar ► Lufteinlass 1/4“
► Farbübertragung > 70% ► Luftverbrauch 175 l/min
► Schlauchdurchmesser 8 x 15 mm
► Düsendurchmesser 1,7 mm ► Tank Kapazität 600 ml
► Nettogewicht 0,7 kg

SICHERHEITSHINWEISE

► Lesen Sie alle Sicherheitshinweise und die gesamte Gebrauchsanleitung ► Die Nichteinhaltung aller im Folgenden aufgeführten Sicherheitshinweise und der Gebrauchsanleitung kann zum Elektroschock, Brand und/oder schweren Verletzungen führen ► Heben Sie alle Sicherheitshinweise und die gesamte Gebrauchsanleitung zum späteren Nachlesen auf ► Unfälle können häufig vermieden werden, wenn man sich im Voraus der Gefährlichkeit einer Situation bewusst ist und die angemessenen Sicherheitsverfahren hundertprozentig einhält
► Verwenden Sie diese Farbspritzpistole niemals zu anderen Zwecken, als zu den in dieser Anleitung aufgeführten.

EIN SICHERER ARBEITSPLATZ.

► Der Arbeitsplatz muss sauber und gut beleuchtet sein ► Unordentliche und dunkle Stellen verursachen Unfälle ► Verwenden Sie pneumatisches Werkzeug niemals in einer explosionsfähigen Atmosphäre, wie in der Nähe von brennbaren Flüssigkeiten, Gasen und Stäuben
► Wenn Sie mit einem pneumatischen Werkzeug arbeiten, müssen Kinder und Neugierige fern bleiben ► Ablenkungen können dazu führen, dass Sie die Kontrolle über das Werkzeug verlieren.

PERSÖNLICHE SICHERHEIT.

► Seien Sie aufmerksam, achten Sie auf das, was Sie gerade tun und setzen Sie Ihren gesunden Menschenverstand ein, wenn Sie mit einem pneumatischen Werkzeug arbeiten ► Verwenden Sie kein pneumatisches Werkzeug, wenn Sie müde sind oder unter dem Einfluss von Drogen, Alkohol oder Medikamenten stehen ► Ein Augenblick, in dem Sie abgelenkt sind, während Sie mit einem pneumatischen Werkzeug arbeiten, kann zu schweren Personenschäden führen.

PSA VERWENDEN.

► Tragen Sie eine Schutzbrille gemäß der Norm EN166 ► Tragen Sie eine Schutzmaske gemäß der Norm EN149 ► Falls die Art der Arbeit, die Sie ausführen, dies erforderlich macht, verwenden Sie eine angemessene PSA.

NICHT AUF ZEHENSPITZEN STEHEND ARBEITEN.

► Stehen Sie mit den Füßen fest auf dem Boden und achten Sie darauf, das Gleichgewicht nicht zu verlieren ► So kontrollieren Sie in unvorhergesehenen Situationen das pneumatische Werkzeug besser.

ANGEMESSENE KLEIDUNG.

► Tragen Sie weder lockere Kleidung noch Schmuck ► Halten Sie Haare, Kleidung und Handschuhe von beweglichen Teilen fern ► Lockere Kleidung, Schmuck und lange Haare können von den beweglichen Teilen eingeklemmt werden ► Falls Anschlüsse für Entstaubungsvorrichtungen vorhanden sind, gewährleisten Sie, dass diese korrekt angeschlossen sind und richtig verwendet werden
► Die Verwendung dieser Geräte kann Risiken im Zusammenhang mit Staub verringern.

KUPPLUNGEN UND DRUCKLUFTARTEN.

► Die Schnellkupplungen dürfen nur für die Verbindung mit dem Druckluftsystem und dem unversiegelten Stutzen mit Außengewinde verwendet werden. Sie werden so an der Farbspritzpistole angebracht, dass nach dem Abschalten keine Druckluft verbleibt ► Niemals Gasflaschen verwenden ► Als Antriebsquelle der Farbspritzpistole keine Flaschen mit Sauerstoff

oder brennbaren Gasen verwenden ►Der Gebrauch dieser Gase oder anderer Gase in Flaschen ist gefährlich, weil die Farbspritzpistole explodieren könnte ►Verwenden Sie nur saubere, trockene und regulierte Druckluft.

ZULÄSSIGER HÖCHSTDRUCK.

►Die Farbspritzpistole darf nur an eine Druckluftquelle angeschlossen werden, wenn der Druck 10 % des für die Farbspritzpistole zugelassenen Höchstdrucks nicht überschreitet. Bei höherem Druck muss ein Druckminderer mit nachgeschaltetem Sicherheitsventil in die Druckluftzufuhr eingebaut werden.

MIT DER Farbspritzpistole NICHT AUF PERSONEN ZIELEN.

►Zielen Sie weder auf sich selbst noch auf andere Personen ►Spielen Sie nicht mit der Farbspritzpistole, behandeln Sie sie wie ein Werkzeug zum Arbeiten.

AUFBEWAHRUNG VON WERKZEUG MIT DRUCKLUFT.

►Bewahren Sie die abgeschaltete Farbspritzpistole außerhalb der Reichweite von Kindern und Personen, die mit pneumatischen Werkzeugen und dieser Gebrauchsanleitung nicht vertraut sind, auf ►Pneumatische Werkzeuge sind in den Händen ungeübter Benutzer gefährlich.

WARTUNG.

►Stellen Sie sicher, dass die beweglichen Teile nicht falsch ausgerichtet oder verklemmt sind, dass es keine defekten Teile oder andere Bedingungen gibt, die das Funktionieren pneumatischer Werkzeuge beeinträchtigen könnten ►Wenn ein pneumatisches Werkzeug beschädigt ist, muss es vor seiner Verwendung repariert werden ►Viele Unfälle werden von schlecht gewarteten pneumatischen Werkzeugen verursacht ►Benutzen Sie das pneumatische Werkzeug sowie dessen Zubehör gemäß dieser Gebrauchsanleitung und so, wie es für den jeweiligen Werkzeugtyp vorgesehen ist. Berücksichtigen Sie die Arbeitsbedingungen und die Art der auszuführenden Arbeit ►Eine zweckfremde Verwendung des pneumatischen Werkzeugs kann gefährlich sein ►Lassen Sie Ihr pneumatisches Werkzeug von einem qualifizierten

Reparaturdienst von Werku® überprüfen und verwenden Sie nur Originalersatzteile ►Das garantiert eine dauerhafte Sicherheit Ihres pneumatischen Werkzeugs.

ÜBERWACHUNG DES ZUSTANDS DER Farbspritzpistole.

►Prüfen Sie, ob alle Schrauben der Farbspritzpistole fest angezogen sind ►Bei kaltem Wetter oder wenn die Farbspritzpistole längere Zeit nicht benutzt worden ist, erwärmen Sie die Farbspritzpistole eine Weile, indem Sie sie einige Minuten lang leer laufen lassen. Das verbessert die Schmierung der internen Bauteile ►Gewährleisten Sie, dass möglicherweise montiertes Zubehör fest an seiner Stelle sitzt.

VOR ARBEITSBEGINN.

►Vor Verwendung der Farbspritzpistole stellen Sie sicher, dass diese fest aufliegt ►Achten Sie darauf, dass sich niemand unterhalb des Einflussbereiches der Pistole befindet, wenn Sie in der Höhe arbeiten ►Halten Sie die Hände fern von den beweglichen Teilen der Farbspritzpistole.

BEI BETRIEB.

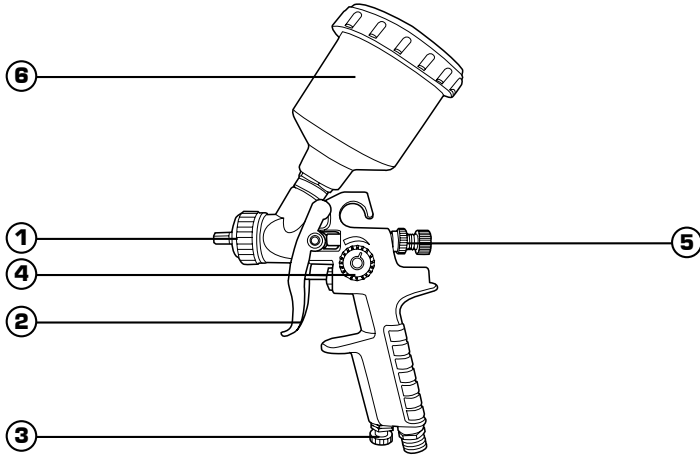
►Wenn die Farbspritzpistole nicht fest in den Händen liegt, lassen Sie sie ausgeschaltet ►Nehmen Sie sie nur in Betrieb, wenn Sie sich sicher sind, dass Sie sie vollständig unter Kontrolle haben ►Zielen Sie auf niemanden mit eingeschalteter Farbspritzpistole ►Beim Arbeiten kann die Farbspritzpistole vibrieren ►Die Schrauben können sich nach und nach lösen und eine Störung oder einen Unfall verursachen ►Halten Sie die Hände von den beweglichen Teilen der Farbspritzpistole fern.

NACH ARBEITSENDE.

►Berühren Sie nach Gebrauch nicht das an der Pistole angebrachte Zubehör ►Es kann sehr heiß sein und Verbrennungen verursachen ►Einige Materialien, mit denen gearbeitet wird, können toxische chemische Substanzen enthalten ►Seien Sie vorsichtig und vermeiden Sie das Einatmen dieser Substanzen und den Hautkontakt damit ►Verwenden Sie die PSA, um sich vor solchen Zwischenfällen zu schützen und diese zu vermeiden.

PRODUKTBESCHREIBUNG.

►Die Farbspritzpistole wurde zur Zerstäubung von Farbe mittels Druckluft entwickelt ►Schauen Sie sich dieses Schema an, um sich mit der Farbspritzpistole vertraut zu machen, bevor Sie diese verwenden.



1. Sprührichtungsregler
2. Abzug
3. Druckluftregler
4. Sprühbreitenregler
5. Durchflussregler
6. Tank

GEBRAUCHSANLEITUNG.

►Vor Inbetriebnahme der Farbspritzpistole sollten Sie diese Gebrauchsanleitung vollständig und aufmerksam lesen ►Außerdem müssen Sie die Vorschriften zur Verhütung von Arbeitsunfällen, die Betriebsvorschriften und die geltenden Gesetze und Einschränkungen beachten ►Die Farbspritzpistole darf ausschließlich von Personen, die angemessen in ihre Handhabung eingewiesen wurden, und nur zu den vorgesehenen Zwecken, verwendet werden.

ARBEITSWEISE.

►Die zum Sprühen erforderliche Druckluft wird über den Lufteinlass, der an den Griff der Farbspritzpistole angeschraubt ist, geladen (1) ►Bei Betätigung des Abzugs öffnet sich das Luftventil bis zum ersten Druckpunkt (Restluftkontrolle) (2) ►Wenn der Abzug erneut betätigt wird, kommt die Farbnadel aus dem Durchfluss heraus (3) ►Die Flüssigkeit tritt dann infolge der Schwerkraft, ohne Druck, heraus und wird von der Druckluft zerstäubt (4).

FLÜSSIGKEITSDURCHLAUF.

►Der Durchflussregler regelt die Menge der zu zerstäubenden Farbe (5) ►Wenn Sie mehr Farbe benötigen, drehen Sie den Durchflussregler nach links (6) ►Wenn Sie weniger Farbe benötigen, drehen Sie den Durchflussregler nach rechts (7).

SPRÜHBREITENREGLER.

►Der Sprühbreitenregler regelt den Umfang des Sprühbereichs der Farbspritzpistole ►Für einen größeren Sprühbereich drehen Sie den Sprühbreitenregler nach rechts, für einen kleineren Sprühbereich drehen Sie den Sprühbreitenregler nach links (8, 9) ►Der Sprührichtungsregler kann um 360° gedreht werden; wenn er gelockert wird, kann der Sprühbereich nach Wunsch ausgerichtet werden.

INBETRIEBNAHME.

►Schließen Sie den Durchflussregler vollständig (5) ►Schließen Sie die Farbspritzpistole an das Druckluftnetz an (1) ►Betätigen Sie den Abzug und prüfen Sie zunächst das Austreten der Luft, danach das des Produkts (2) ►Die Farbspritzpistole muss entsprechend der Farbe, die verwendet werden soll, eingestellt werden ►Öffnen Sie den Durchflussregler, bis das Sprühergebnis gleichmäßig ist.

WICHTIG.

►Die Verwendung von Produkten, die Halogenkohlenwasserstoffe enthalten, können explosionsartige chemische Reaktionen auslösen ►Die Verwendung von Lösungs- und Reinigungsmitteln auf der Grundlage von Halogenkohlenwasserstoffen wie beispielsweise 1,1,1-Trichlorethan und Methylenchlorid kann zu chemischen Reaktionen im Glas, der Pistole und auf verzinkten Teilen führen (aus der Verbindung von 1,1,1-Trichlorethan mit Spuren von Wasser geht Salzsäure hervor) ►Wir empfehlen die Verwendung von Produkten, die diese Substanzen nicht enthalten ►Vor Inbetriebnahme der Farbspritzpistole und dem Zubehör müssen diese mit einem Lösungsmittel für Reinigungszwecke gereinigt werden, um die Schutzbehandlung, die vor der Verpackung aufgetragen wurde, zu entfernen ►Verwenden Sie auf keinen Fall Säuren, Natronlauge (Laugen, Dekapiermittel u. a.) zur Reinigung.

WARTUNG.

► Lassen Sie die Kondensationsflüssigkeit aus den Drucklufttanks und den Schläuchen ab (10) ► Öffnen Sie zu diesem Zweck die Druckentlastungshähne und sonstige Kondensableiter der Tanks ► Die Farbspritzpistole wurde entwickelt, um lange Zeit wartungsfrei eingesetzt zu werden ► Ein optimales Funktionieren hängt von einer sorgfältigen Pflege und häufigem Reinigen ab ► Die Farbspritzpistole wird am besten mit Druckluft gereinigt ► Falls Sie keine Druckluft verwenden können, bürsten Sie den Staub von der Farbspritzpistole ab ► Einige Reinigungs- und Lösungsmittel beschädigen die Kunststoffteile, u. a. Benzin, Tetrachlormetan, chlorhaltige Lösungsmittel für Reinigungszwecke, Ammoniak und Haushaltsreiniger mit Ammoniak ► Reinigen Sie die Farbspritzpistole niemals mit einem der genannten Produkte.

UMWELTSCHUTZ.

► Die Materialien und Bauteile, die für die Herstellung dieses Produkts verwendet wurden, können recycelt und wiederverwertet werden ► Werku® arbeitet mit einem Integrierten Abfallbewirtschaftungssystem, das die korrekte Entsorgung der Rückstände dieses Produkts abwickelt ► Werfen Sie dieses Produkt nicht in den Haushaltsmüll ► Werku® bietet seinen Kunden einen kostenlosen Service, um diese Rückstände von einer der Verkaufsstellen, den vom Integrierten Abfallbewirtschaftungssystem eingerichteten Sammelstellen oder den Abfallsammelstellen Ihrer Gemeinde abzuholen.

GARANTIE UND KUNDENSERVICE.

► Neben der gesetzlichen Garantie räumt Werku® Ihnen zusätzlich eine kommerzielle Garantie ein ► Die kommerzielle Garantie umfasst die Reparatur von Mängeln aufgrund von Material- oder Fabrikationsfehlern ► Damit diese Garantie gewährleistet wird, müssen diese Mängel innerhalb des Gültigkeitszeitraums auftreten ► Der Verbraucher hat das Recht auf kostenlose Reparatur von Mängeln, die von Werku® als in der kommerziellen Garantie eingeschlossen anerkannt werden (einschl. Versand-, Verarbeitungs- oder Materialkosten); nach Wahl von Werku® entweder durch Reparatur oder durch Ersatz (falls erforderlich, durch

ein späteres Modell) ► Diese kommerzielle Garantie betrifft nicht die in der EU-Richtlinie 1999/44/EG festgelegten Verbraucherrechte ► Der Gültigkeitszeitraum dieser kommerziellen Garantie beträgt 24 Monate ► Falls das Produkt für den gewerblichen oder industriellen Gebrauch bestimmt ist, beträgt der Gültigkeitszeitraum 12 Monate ► Der Gültigkeitszeitraum beginnt ab dem Datum des Kaufes durch den erstmaligen Verbraucher ► Dieses Datum ist auf der Rechnung oder dem Kaufbeleg enthalten ► Die Zeit für Gewährleistungsansprüche im Hinblick auf die Erfüllung dieser kommerziellen Garantie ist auf sechs Monate ab Ende des Gültigkeitszeitraums festgelegt ► Eine Reklamation im Zusammenhang mit dieser kommerziellen Garantie muss dem Händler oder Kundenservice vorgelegt werden ► Hierzu muss diese Garantie ordnungsgemäß ausgefüllt, vom Händler gestempelt und zusammen mit der Rechnung oder dem Kaufbeleg vorgelegt werden ► Für weitere Informationen zu dieser kommerziellen Garantie können sich der Käufer oder der Händler telefonisch über +34 981 648 119 oder über E-Mail an info@werku.com mit dem Kundenservice in Verbindung setzen ► Ausgenommen von dieser kommerziellen Garantie sind Mängel, die infolge von verschlissenen Teilen durch den Gebrauch oder eine andere Art von natürlichem Verschleiß verursacht wurden, Mängel aufgrund von Unaufmerksamkeit oder Nichtbefolgung der Bedienungsanleitung und unsachgemäßem Betrieb, eine Benutzung, die nicht dem Gebrauch entspricht, für den das Produkt bestimmt ist, ungewöhnliche Umweltfaktoren, Überlastung, unangemessene Wartung oder Reinigung, Mängel aufgrund der Verwendung von Zubehör, Ergänzungen oder Ersatzteilen, die keine Originalteile von Werku® sind, wenn das Produkt durch Personal, das nicht zum Kundenservice gehört, ganz oder teilweise auseinander montiert, verändert oder repariert wurde oder kleine und für den Gebrauch und ordnungsgemäßen Betrieb unwesentliche Unregelmäßigkeiten ► Durch Reparaturen und Ersatz wird der Gültigkeitszeitraum für diese kommerzielle Garantie weder verlängert noch neu festgelegt ► Ersetzte Teile gehen in das Eigentum von Werku® über ► Wenn der Käufer das Produkt an

den Kundenservice zurückgibt und dabei nicht die Bedingungen dieser kommerziellen Garantie erfüllt, gehen die Kosten und Gefahren zu Lasten des Käufers ► Diese kommerzielle Garantie gilt auf dem Gebiet der Europäischen Union ► Das für die Erfüllung der kommerziellen Garantie verantwortliche Unternehmen Werku® ist Rico-Yáñez SA.

TECHNISCHE BERATUNG.

► Werku® stellt Ihnen seine technische Abteilung zur Verfügung, damit Sie alle Fragen, die zu unseren Produkten auftreten könnten, klären können ► Wenn Sie sich mit unserem Team in Verbindung setzen möchten, senden Sie eine E-Mail an folgende Adresse: info@werku.com
► Werku® ist ein eingetragenes Warenzeichen der Rico-Yáñez SA.

DÉCLARATION DE CONFORMITÉ CE.

► Werku® déclare que le pistolet à peinture **WK500740** est en conformité avec les directives et normes européennes 2006/42/CE et EN1953:1998.



La Coruña, 01/01/2015.

Luís Casal

Directeur Technique

CARACTERISTIQUES TECHNIQUES.

► Compresseur 1,5 hp ► Pression travail 3-4 bar ► Pression maximale 8 bar ► Air d'entrée 1/4" ► Transfert peinture > 70% ► Consommation d'air 175 l/min ► Diamètres hose 8 x 15 mm ► Diamètre buse 1,7 mm ► Capacité réservoir 600 ml ► Poids net 0,7 kg.

CONSIGNES DE SÉCURITÉ.

► Veuillez lire toutes les consignes de sécurité et tous les avertissements ► Le non respect de l'ensemble des avertissements et des consignes figurant ci-dessous peut être la cause d'un choc électrique, d'un incendie et/ou de blessures graves ► Conservez tous les avertissements et toutes les consignes pour vous y référer ultérieurement ► Les accidents peuvent dans de nombreux cas être évités en identifiant les situations dangereuses avant qu'un accident ne se produise et en respectant fidèlement les procédures de sécurité adéquates ► N'utilisez jamais ce pistolet à peinture dans les cas non spécifiés dans ce manuel.

SÉCURITÉ DE LA ZONE DE TRAVAIL.

► Conservez la zone de travail rangée et bien éclairée ► Les zones mal rangées et mal éclairées sont sources d'accidents ► Ne manipulez pas d'outils pneumatiques dans des environnements explosifs comme en présence de liquides, de gaz ou de poussières inflammables ► Maintenez les enfants et les curieux éloignés pendant que vous manipulez un outil pneumatique ► Les distractions peuvent être sources d'une perte de contrôle.

SÉCURITÉ PERSONNELLE.

► Soyez vigilant et attentif à ce que vous faites et faites appel à votre bon sens quand vous

manipulez un outil pneumatique ► N'utilisez pas d'outil pneumatique si vous êtes fatigué ou sous l'influence de drogues, d'alcool ou de médicaments ► Un moment de distraction pendant que vous manipulez des outils pneumatiques peut vous causer de graves blessures corporelles.

UTILISEZ DES EPI.

► Utilisez des lunettes de protection conformes à EN166 ► Utilisez un masque de protection conforme à EN149 ► Si le type de travail à effectuer le requiert, utilisez d'autres équipements de protection individuelle.

NE TRAVAILLEZ PAS SUR LA POINTE DES PIEDS.

► Maintenez vos pieds bien à plat sur le sol et conservez votre équilibre à tout moment ► Cela vous permettra de mieux contrôler l'outil pneumatique en cas d'imprévu.

HABILLEZ-VOUS EN CONSÉQUENCE.

► Ne portez pas de vêtements flottants ou des bijoux ► Éloignez vos cheveux, vos vêtements et vos gants des pièces en mouvement ► Les vêtements flottants, les bijoux ou les cheveux longs peuvent être pris dans les pièces en mouvement ► S'il existe des dispositifs pour la connexion de moyens d'extraction et de ramassage de la poussière, assurez-vous qu'ils soient branchés et qu'ils fonctionnent correctement ► L'utilisation de ces dispositifs peut réduire les risques liés à la poussière.

RACCORDS ET TYPE D'AIR.

► Les raccords rapides ne doivent être utilisés que pour le branchement avec le système d'air comprimé et le manchon mâle non étanche. Il doit être installé sur le pistolet à peinture de sorte qu'il ne reste pas d'air comprimé après le débranchement ► N'utilisez jamais de bombones de gaz ► N'utilisez jamais de bombones d'oxygène, de gaz combustibles, etc. comme source de propulsion pour ce pistolet à peinture ► L'utilisation de ces gaz ou d'autres gaz en bouteille est dangereuse, le pistolet à peinture pouvant exploser ► Utilisez uniquement de l'air comprimé propre, sec et régulé.

PRESSION MAXIMALE.

► Le pistolet à peinture ne doit être raccordé qu'à une source d'air comprimé si la pression ne dépasse pas plus de 10% la pression maximale admissible du pistolet à peinture. En cas de pressions plus élevées, une valve de réduction de pression incluant une soupape de sécurité en aval doit être installée dans l'alimentation en air comprimé.

NE VISEZ PERSONNE AVEC LE PISTOLET À PEINTURE.

► Ne dirigez jamais vers vous-même ni vers d'autres personnes le pistolet à peinture ► Ne jouez jamais avec le pistolet et considérez-le comme un outil de travail.

STOCKEZ LES OUTILS PNEUMATIQUES.

► Rangez les outils pneumatiques inutilisés hors de portée des enfants et n'autorisez pas leur maniement par des personnes non familiarisées avec ce type d'outils ou méconnaissant les consignes de sécurité ► Les outils pneumatiques sont dangereux entre les mains d'utilisateurs non avertis.

ENTRETIEN.

► Vérifiez que les parties mobiles ne sont pas désalignées ou entravées, qu'il n'y a pas de pièces cassées ou d'autres conditions qui peuvent affecter le fonctionnement des outils pneumatiques ► Les outils pneumatiques doivent être réparés avant leur utilisation quand ils sont endommagés ► De nombreux accidents sont causés par des outils pneumatiques mal entretenus ► Utilisez ces outils pneumatiques et leurs accessoires en respectant ces instructions et le mode d'utilisation prévu pour chaque type d'outils pneumatiques, en tenant compte des conditions de travail et de la tâche à effectuer ► L'utilisation de l'outil pneumatique à des fins autres que celles spécifiées pourrait provoquer une situation de danger ► Faites réviser vos outils pneumatiques par un service officiel de réparation Werku® en utilisant uniquement des pièces de rechange identiques ► C'est une garantie de sécurité pour votre outil.

VÉRIFIEZ LE BON ÉTAT DE VOTRE PISTOLET À PEINTURE.

► Vérifiez que toutes les vis du pistolet à peinture sont parfaitement bien serrées ► Sous des climats froids ou quand le pistolet à peinture n'a pas été utilisé depuis longtemps, laissez le pistolet se réchauffer un peu en le faisant fonctionner à vide pendant quelques minutes afin de permettre une parfaite lubrification de ses composants internes ► Assurez-vous que les possibles accessoires installés sont bien à leur place.

AVANT DE COMMENCER À TRAVAILLER.

► Avant d'utiliser le pistolet, assurez-vous qu'il est fermement calé ► Vérifiez que personne ne se trouve dans la zone d'action du pistolet à peinture quand vous effectuez des travaux dans des zones en hauteur ► Éloignez vos mains des parties du pistolet en mouvement.

PENDANT LE FONCTIONNEMENT.

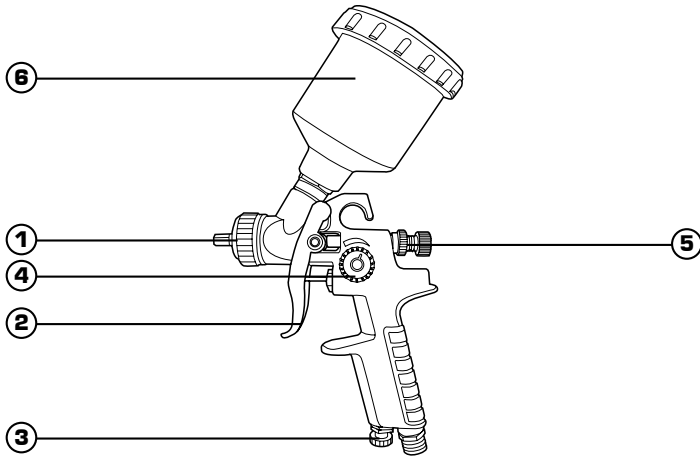
► Ne faites pas fonctionner le pistolet à peinture s'il n'est pas bien maintenu ► Faites-le fonctionner quand vous êtes sûr de le contrôler totalement ► Ne le dirigez pas vers quelqu'un pendant son fonctionnement ► Pendant l'opération, le pistolet à peinture peut produire des vibrations ► Les vis peuvent se dévisser petit à petit, ce qui peut provoquer une panne ou un accident ► Éloignez vos mains des parties du pistolet en mouvement.

À LA FIN DE VOTRE TRAVAIL.

► Ne touchez pas les accessoires installés sur le pistolet à peinture après son utilisation ► Ils peuvent être très chauds et causer des brûlures ► Certains matériaux sur lesquels vous travaillez peuvent contenir des substances chimiques ou des composants toxiques ► Soyez attentif à ne pas inhaler ces substances et à ce que votre peau ne soit pas en contact avec ► Utilisez les EPI conçus pour prévenir et vous protéger de ce type d'accidents.

DESCRIPTION DU PRODUIT.

► Ce pistolet à peinture a été conçu pour effectuer des travaux de pulvérisation de peinture avec air sous pression ► Observez ce schéma pour vous familiariser avec ce pistolet avant de l'utiliser.



1. Régulateur direction éventail.
2. Déclencheur.
3. Régulateur pression air.
4. Régulateur éventail.
5. Régulateur passage fluide.
6. Réservoir.

NOTICE D'UTILISATION.

► Avant de mettre en marche le pistolet à peinture, il est recommandé de lire attentivement toutes les instructions ci-dessous ► Vous devrez également tenir compte des normes de prévention des accidents, des règlements et des directives pour les centres de travail, ainsi que des lois et restrictions en vigueur ► Le pistolet à peinture doit être utilisé uniquement par des personnes adéquatement formées à son maniement et respectant exclusivement les fins ici prévues.

FONCTIONNEMENT.

► L'air comprimé nécessaire pour pulvériser la peinture pénètre par l'entrée d'air vissée à la poignée du pistolet à peinture (1) ► En actionnant le déclencheur, la valve d'air s'ouvre jusqu'au premier point de pression (contrôle d'air préalable) (2) ► En continuant à actionner le déclencheur, l'aiguille à peinture sort hors du passage de fluide (3) ► Le fluide est alors pulvérisé par la force de gravité, sans aucune pression, par l'air comprimé (4).

PASSAGE DE FLUIDE.

► Le régulateur de passage de fluide adapte la quantité de peinture pulvérisée (5) ► Pour pulvériser davantage de peinture, tournez le régulateur de passage de fluide vers la gauche (6) ► Pour pulvériser moins de peinture, tournez le régulateur de passage de fluide vers la droite (7).

RÉGULATEUR D'ÉVENTAIL.

► Le régulateur d'éventail adapte l'amplitude de pulvérisation du pistolet ► Tournez le régulateur d'éventail vers la droite pour un éventail plus ouvert ou vers la gauche pour un éventail plus fermé (8, 9) ► Le régulateur de direction d'éventail peut tourner jusqu'à 360°. En donnant du mou, vous pourrez orienter l'éventail comme souhaité.

MISE EN MARCHÉ.

► Fermez le régulateur de passage de fluide au maximum (5) ► Connectez le pistolet à peinture au réseau pneumatique (1) ► Actionnez le déclencheur en vérifiant d'abord la sortie d'air et ensuite celle du produit (2) ► Le pistolet à peinture doit être réglé selon le type de peinture utilisé ► Ouvrez le régulateur de passage de fluide jusqu'à ce que la pulvérisation soit uniforme.

IMPORTANT.

► L'utilisation de produits contenant des hydrocarbures halogénés peut provoquer des réactions chimiques sous la forme d'explosions ► Si vous utilisez des solvants et des détergents sur la base d'hydrocarbures halogénés, comme 1,1,1-trichloroéthane et chlorure de méthylène, il peut y avoir des réactions chimiques dans le verre, le pistolet et les pièces galvanisées (le 1,1,1-trichloroéthane en présence de traces d'eau produit de l'acide chlorhydrique) ► Nous recommandons l'utilisation de produits n'en contenant pas ► Avant la mise en service du pistolet à peinture et de ses accessoires, ils doivent être nettoyés avec une solution de nettoyage avec solvants afin d'éliminer le traitement de protection appliqué avant son emballage ► Vous ne devez utiliser en aucun cas des acides, de la soude (des alcalis, des décapants, etc.) pour leur nettoyage.

ENTRETIEN.

► Drainez la condensation des réservoirs compresseurs d'air et des tuyaux (10) ► Pour cela, ouvrez les robinets de décompression ou autres valves de drainage des réservoirs ► Le pistolet à peinture a été conçu pour fonctionner longtemps avec un minimum d'entretien ► Son bon fonctionnement dépend des soins qui lui sont apportés et d'un nettoyage fréquent ► Le pistolet à peinture doit être nettoyé de manière efficace en utilisant de l'air comprimé ► Si vous ne pouvez pas utiliser d'air comprimé, retirez la poussière du pistolet avec une brosse ► Certains produits de nettoyage et certains solvants endommagent les composants en plastique, parmi lesquels l'essence, le tétrachlorométhane, les solvants chlorés, l'ammoniaque et les produits de nettoyage domestiques contenant de l'ammoniaque ► N'utilisez aucun de ces produits pour nettoyer le pistolet à peinture.

PROTECTION DE L'ENVIRONNEMENT.

► Les matériaux et composants utilisés pour fabriquer ce produit peuvent être réutilisés et recyclés ► Werku® a adhéré à un Système Intégré de Gestion qui se charge de l'élimination correcte des résidus de ce produit ► Ne jetez pas ce produit dans les ordures domestiques ► Werku® propose à ses clients un service gratuit de collecte de ces résidus dans tous ses points de vente, dans les points de collecte listés par le Système Intégré de Gestion ou dans les points de collecte de votre commune.

GARANTIE ET SERVICE TECHNIQUE.

► Outre la garantie légale, Werku® offre une garantie commerciale supplémentaire ► Cette garantie commerciale couvre la réparation des défauts résultant de défaillances dans le matériel ou la fabrication ► Pour cela, les défauts doivent être constatés pendant la période de validité ► Le consommateur a droit à la réparation gratuite des défauts que Werku® reconnaît comme inclus dans la garantie commerciale (frais envoi, main d'œuvre et matériaux inclus), au choix de Werku®, au moyen de la simple réparation ou par remplacement (le cas échéant, par un modèle postérieur) ► Cette garantie commerciale n'affecte pas les droits du consommateur établis légalement par la Directive 1999/44/CE ► La

période de validité de cette garantie commerciale est de 24 mois ► Si ce produit est destiné à une utilisation professionnelle ou industrielle, la période de validité est de 12 mois ► La période de validité débute à la date d'achat par le premier consommateur ► Cette date figure sur la facture ou le ticket de caisse ► Le droit de réclamer l'application de cette garantie commerciale expire six mois après la fin de la période de validité ► Les réclamations en vertu de cette garantie commerciale doivent être présentées au distributeur ou au Service d'Assistance Technique ► Pour cela, il est indispensable de présenter cette garantie dûment complétée et tamponnée par le distributeur, accompagnée de la facture ou du ticket d'achat ► Pour toute information relative à cette garantie commerciale, l'acheteur et/ou le distributeur peut contacter le Service d'Assistance Technique au +34 981 648 119, ou par courrier électronique à info@werku.com ► Sont exclus de cette garantie commerciale les défauts causés par des pièces usées résultant d'une utilisation naturelle, les défauts causés par le non respect ou la mauvaise application de la notice d'utilisation ou par une utilisation non conforme à celle à laquelle est destiné ce produit, par des facteurs environnementaux anormaux ou une surcharge, un entretien ou un nettoyage inadéquats, les défauts causés par l'utilisation d'accessoires ou de pièces de rechange qui ne sont pas des pièces d'origine Werku® et si le produit a été totalement ou partiellement démonté, modifié ou réparé par du personnel autre que celui du Service d'Assistance Technique, ou s'il s'agit d'irrégularités minimales et insignifiantes pour une utilisation et un fonctionnement adéquats ► Les réparations et remplacements ne prolongent ni ne renouvellent le délai de validité de cette garantie commerciale ► Les pièces remplacées sont la propriété de Werku® ► Si l'acheteur remet le produit au Service d'Assistance Technique en ne remplissant pas les conditions de cette garantie commerciale, les frais et risques du transport seront à sa charge ► Cette garantie commerciale est valable sur le territoire de l'Union Européenne ► L'entreprise responsable de l'application de cette garantie commerciale Werku® est Rico-Yáñez SA

ASSISTANCE TECHNIQUE.

► Werku® met à votre disposition son service technique pour répondre à toutes les questions sur ses produits ► Si vous souhaitez contacter notre équipe, veuillez envoyer un courrier électronique à l'adresse suivante: info@werku.com ► Werku® est une marque commerciale de Rico-Yáñez SA.

CE CONFORMITEITSVERKLARING.

► Werku® verklaart dat de verfspuitpistool **WK500740** in overeenstemming is met de Europese richtlijnen en normen 2006/42/CE en EN1953:1998.



La Coruña, 01/01/2015
Luís Casal
Technisch Directeur

TECHNISCHE EIGENSCHAPPEN.

► Compressor 1.5 pk ► Werkdruk 3-4 bar
► Maximale druk 8 bar ► Luchtinlaat 1/4"
► Verfoverdracht > 70% ► Luchtverbruik 175 l/min
► Slang diameter 8 x 15 mm ► Mondstuk diameter 1,7 mm ► Tank inhoud 600 ml ► Netto gewicht 0,7 kg

VEILIGHEIDSINSTRUCTIES.

► Lees alle beveiligingswaarschuwingen en alle instructies ► Het niet opvolgen van alle hieronder vermelde waarschuwingen en instructies kan leiden tot elektrische schokken, brand en/of ernstig letsel ► Bewaar alle waarschuwingen en voorschriften voor toekomstig gebruik ► Ongevallen kunnen meestal worden voorkomen door erkenning van een potentiële gevaarlijke situatie voordat deze plaatsvindt en door het observeren van de juiste veiligheidsprocedures ► Deze verfspuitpistool niet gebruiken voor andere toepassingen dan die in deze handleiding zijn gespecificeerd.

VEILIGHEID OP DE WERKOMGEVING.

► Houw de werkomgeving schoon en goed verlicht ► Een rommelige of onverlichte werkomgeving kan ongevallen veroorzaken ► Gebruik geen pneumatisch gereedschap in explosieve omgevingen, zoals in de aanwezigheid van brandbare vloeistoffen, gassen of stoffen ► Houw kinderen en nieuwsgierigen uit de buurt tijdens het gebruiken van een pneumatisch gereedschap ► Afleidingen kunnen controleverlies veroorzaken.

PERSOONLIJKE VEILIGHEID.

► Blijf alert, let op wat u doet en gebruik uw gezond verstand bij het bedienen van een pneumatisch gereedschap ► Gebruik geen

pneumatisch gereedschap wanneer u moe of onder invloed bent van drugs, alcohol of medicijnen ► Een moment van onoplettendheid bij het gebruik van pneumatisch gereedschap kan ernstige persoonlijke schade veroorzaken.

GEBRUIK PBM's.

► Gebruik een beschermingsbril volgens EN166
► Gebruik een beschermingsmasker volgens EN149 ► Indien vereist door de aard van het werk, gebruik andere precieze PBM's.

NIET OP DE TENEN WERKEN.

► Houw de voeten goed op de grond en blijf in ieder moment in evenwicht
► Dit vergemogelijkt een betere controle van het pneumatisch gereedschap in onverwachte situaties.

DRAAG GESCHIKTE KLEDING.

► Draag geen losse kleding of sieraden ► Houw uw haar, kleding en handschoenen uit de buurt van bewegende delen ► Losse kleding, sieraden en lange haren kunnen door bewegende delen worden opgenomen ► Als er apparaten zijn voor de verbinding van extractiemiddelen en stofverzamelaars, zorg erdan voor dat ze zijn aangesloten en juist worden gebruikt ► Het gebruik van deze apparaten kan gevaren die met stof te maken hebben verminderen.

AANSLUITINGEN EN LUCHT TYPE.

► Snelle verbindingen mogen alleen worden gebruikt voor het verbinden van het persluchtstelsel en de slang; door deze in de verfspuitpistool te plaatsen zodat er geen perslucht overblijft na de uitschakeling ► Nooit gebottelde gassen gebruiken ► Nooit als voedingsbron voor de verfspuitpistool, zuurstof tanks, brandstof gas, etc. gebruiken ► Het gebruik van deze gassen of andere gebottelde gassen is gevaarlijk omdat de verfspuitpistool kan ontploffen ► Gebruik alleen schone, droge en gereguleerde perslucht.

MAXIMALE DRUK.

► De verfspuitpistool moet alleen worden aangesloten op een persluchtbron als de druk niet meer dan 10% de maximaal toelaatbare druk van de verfspuitpistool overschrijdt; bij

hogere drukken moet een reduceerventiel worden geïnstalleerd, met een veiligheidsklep in de toevoer van perslucht.

DE VERFSPUITPISTOOL NIET RICHTEN.

► Richt nooit op jezelf of anderen ► Speel nooit met de verfspuitpistool, maak er alleen als werkgereedschap gebruik van.

HET OPSLAAN VAN PERSLUCHTGEREEDSCHAP.

► Pneumatisch gereedschap dat niet in gebruik is moet worden opgeladen buiten het bereik van kinderen en mag niet worden gebruikt door personen zonder ervaring met pneumatisch gereedschap of door mensen die deze instructies niet kennen ► Pneumatisch gereedschap is gevaarlijk in de handen van onervaren gebruikers.

ONDERHOUD.

► Controleer of bewegende delen niet los zitten of vastgelopen zijn, of er geen gebroken onderdelen of andere omstandigheden zijn die de werking van pneumatische gereedschappen kunnen beïnvloeden ► Pneumatisch gereedschap moet worden gerepareerd voor gebruik en wanneer deze beschadigd zijn ► Veel ongelukken worden veroorzaakt door slecht onderhouden pneumatisch gereedschap ► Gebruik pneumatisch gereedschap en accessoires volgens deze instructies en op de wijze die voor het specifieke type pneumatisch gereedschap geldt, rekening houdend met de werkomstandigheden en het te ontwikkelen werk ► Het gebruik van pneumatisch gereedschap voor andere dan de voorziene toepassingen kan tot gevaarlijke situaties leiden ► Laat uw pneumatisch gereedschap controleren en repareren door een officiële Werku® reparatieservice en gebruik alleen originele vervangingsonderdelen ► Dit zal de veiligheid van het pneumatisch gereedschap in stand houden.

CONTROLEER DE GOEDE STAAT VAN DE VERFSPISTOOL.

► Zorg ervoor dat alle schroeven in de verfspuitpistool perfect zijn vastgedraaid ► Laat de verfspuitpistool opwarmen door deze leeg

te gebruiken gedurende koude klimaten of als de verfspuitpistool een lange periode niet gebruikt is, om ervoor te zorgen dat alle interne componenten perfect gesmeerd worden ► Zorg ervoor dat de eventuele geïnstalleerde accessoires perfect aangebracht zijn en op zijn plaats zitten.

VOORDAT U BEGINT.

► Voordat u de verfspuitpistool gebruikt, zorg ervoor dat u stevig staat ► Controleer of er niemand onder de verfspuitpistool influentiezona staat indien u in de hoogte werkt ► Houw uw handen uit de buurt van alle bewegende delen van de verfspuitpistool.

TIJDENS HET WERKEN.

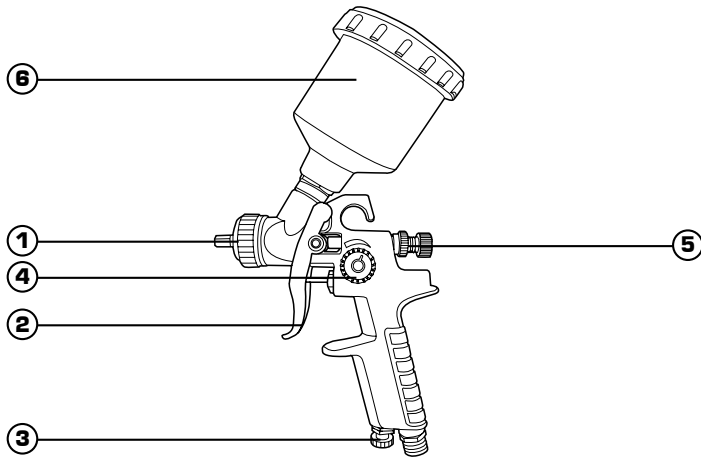
► De verfspuitpistool niet laten werken zonder deze stevig vast te houden ► Laat deze allen werken als u zeker bent dat u volledige controle over de verfspuitpistool heeft ► Richt de verfspuitpistool nooit op iemand terwijl deze in gebruik is ► Bij gebruik van de verfspuitpistool kunnen trillingen optreden ► Schroeven kunnen geleidelijk loskomen en mogelijk storingen of ongevallen veroorzaken ► Houw uw handen uit de buurt van alle bewegende delen van de verfspuitpistool.

HET WERK EINDE.

► Na gebruik, niet de geïnstalleerde accessoires in de verfspuitpistool aanraken ► deze kunnen heet zijn en brandwonden veroorzaken ► Sommige materialen waarmee gewerkt is kunnen chemicaliën of giftige componenten bevatten ► Vermijd het inademen van deze stoffen of met deze in contact komen met de huid ► Gebruik PBM's ter voorkoming en bestrijding van incidenten van deze aard.

BESCHRIJVING VAN HET PRODUCT.

► De verfspuitpistool is ontworpen om perslucht pulverisatiewerk uit te voeren ► Raadpleeg dit plan om voor gebruik vertrouwd te raken met de verfspuitpistool.



- 1 Spray richting controle.
- 2 Trigger.
- 3 Luchtdrukregeling.
- 4 Spray controle.
- 5 Mondstuk regulator.
- 6 Tank.

GEBRUIKSAANWIJZING.

► Voordat de verfspuitpistool gebruikt, is het raadzaam om alle aangegeven instructies zorgvuldig en voltooid te lezen ► Ook moeten ongeval- en preventieregels, werkcentra voorschriften, richtlijnen, huidige wetten en beperkingen in rekening worden gehouden ► De verfspuitpistool mag alleen worden gebruikt door personen die adequaat getraind zijn in de behandeling ervan, en alleen voor de doeleinden waarvoor deze is ontworpen.

WERKING.

► De nodige perslucht komt binnen door de luchtinlaat, die is vastgeschroefd aan de greep van de verfspuitpistool (1) ► Door de trekker te activeren, gaat het luchtventiel open tot het eerste drukpunt (initiële luchtcontrole) (2) ► Als u de trekker verder activeert, komt de verfnaald buiten het mondstuk (3) ► De verf stroomt dan door de zwaartekracht, zonder enige druk, en wordt verpulverd door perslucht (4).

MONDSTUK.

► De mondstuk regulator past de hoeveelheid verf aan die wordt verpulverd (5) ► Voor meer verf, draai de mondstuk regulator naar links (6) ► Voor minder verf, draai de mondstuk regulator naar rechts (7).

SPUIT CONTROLE.

► De spuit regelaar bepaalt de breedte van de spray van de verfspuitpistool ► Draai de spray knop naar rechts voor een bredere-, of naar links voor een smallere dekking (8, 9) ► De spray controle kan tot 360° worden gedraaid en de verfstraal kan worden gericht zoals gewenst.

STARTEN.

► Sluit de mondstuk regulator volledig (5)
► Verbind de verfspuitpistool aan het perslucht net (1) ► Druk op de trekker om eerst de perslucht- en daarna de productuitgang te controleren (2) ► De verfspuitpistool moet worden aangepast, afhankelijk van het soort verf dat wordt gebruikt ► Open de vloeistof uitlaat controle tot de pulverisatie even is.

BELANGRIJK.

► Het gebruik van producten met gehalogeneerde koolwaterstoffen kan tot chemische reacties leiden en explosies veroorzaken ► Bij gebruik van oplos- en wasmiddelen met gehalogeneerde koolwaterstoffen, zoals 1,1,1-trichloorethaan en methyleenchloride chlooraat, kunnen chemische reacties optreden in de tank, de verfspuitpistool en de verzinkte denle (1,1,1-trichloorethaan in contact met water druppels produceert chlorohydric zuur) ► We raden het gebruik van producten aan die niet deze elementen bevatten ► Voordat u de verfspuitpistool en de bijbehorende accessoires gebruikt, moeten deze worden gereinigd met met een tinner reinigingsmiddel, om de beschermende folie die is aangebracht vóór verpakking ge verwijderen ► Nooit zuren of alkalische producten gebruiken om de verfspuitpistool te reinigen.

ONDERHOUD.

► Tap alle condens uit de luchtcompressor tanks en slangen (10) ► Om dit te doen, opent u de decompressie kranen en andere drainage kleppen in de tanks ► De verfspuitpistool is ontworpen voor een lange levensduur met een minimum aan onderhoud ► Optimaal gebruik hangt af van de juiste verzorging van de verfspuitpistool en het regelmatig reinigen ► De verfspuitpistool kan effectief worden gereinigd met perslucht ► Als er geen perslucht beschikbaar is, gebruik dan een

borstel om de stof uit de verfspuitpistool te verwijderen ► Sommige reinigingsmiddelen en oplosmiddelen kunnen schade aan kunststof onderdelen veroorzaken, onder deze zijn benzine, tetrachloorkoolstof, chloorhoudende schoonmaakmiddelen, ammoniak en huishoudelijke schoonmaakmiddelen die ammoniak bevatten ► Gebruik geen van deze om de verfspuitpistool te reinigen.

MILIEU BESCHERMING.

► De materialen en componenten die zijn gebruikt om dit product te vervaardigen kunnen worden hergebruikt en gerecycleerd ► Werku® is gehecht aan een geïntegreerd managementsysteem dat verantwoordelijk is voor de correcte verwijdering van de residuen van dit product ► Gooi dit product niet eg met de gewone vuilnis ► Werku® biedt haar klanten een gratis collectiedienst voor deze resten op elke verkooppunt, op het verzamelpunt van het managementsysteem en op het schone inzamelpunt van uw woonplaats.

GARANTIE EN TECHNISCHE SERVICE.

► Apart van de wettelijke garantie, biedt Werku® een extra commerciële garantie ► Deze commerciële garantie dekt de reparatie van alle geconstateerde gebreken die te wijten aan fouten in het materiaal of de fabricage ► Om deze dekking effectief te zijn is het noodzakelijk dat de gebreken verschijnen binnen de geldigheidsduur ► The consument heeft recht op gratis reparatie van alle defecten die Werku® erkent zoals opgenomen in de commerciële garantie (verzendkosten, arbeidskosten en materialen inbegrepen) en gekozen door Werku®, hetzij via de reparatie of door vervanging (eventueel met een nieuwer model) ► Deze commerciële garantie heeft geen invloed op de rechten van de consument gevestigd door de wet overeenkomstige Richtlijn 1999/44 / CE ► Deze commerciële garantie is geldig gedurende 24 maanden ► Als dit product is bestemd voor professioneel of industrieel gebruik, is de geldigheidsduur 12 maanden ► The geldigheidsduur begint op de datum van aankoop van de eerste consument ► Deze datum wordt getoond op de factuur of aankoopbon ► Acties voor claims tegen deze commerciële garantie vervallen zes maanden na het einde van de

geldigheidsperiode ► Alle claims die voortvloeien uit deze commerciële garantie moeten aan de distributeur of aan de Technische Dienst worden voorgelegd ► Hiervoor moet u deze garantie correct ingevuld en gestempeld by de distributeur presenteren, samen met de factuur of kassabon ► Voor welke informatie ook over deze commerciële garantie, kunt U contact opnemen met de Technische Dienst op het telefoonnummer +34 981 648 119, of per e-mail op info@werku.com ► Deze commerciële garantie geldt niet voor defecten veroorzaakt door onderdelen die versleten zijn door gebruik en andere vormen van natuurlijke slijtage, defecten veroorzaakt door het niet opvolgen van de instructies voor het gebruik, bij toepassingen waarvoor dit product niet bestemd is, voor afwijkende omgevingsfactoren, overbelasting of onzorgvuldig onderhoud of reiniging, voor gebreken veroorzaakt door het gebruik van onderdelen, accessoires of vervangingen die niet origineel Werku® onderdelen zijn, indien dit product geheel of gedeeltelijk gedemonteerd, aangepast of gerepareerd is door iemand verschillend van de Technische Dienst, bij minimale en irrelevante onregelmatigheden die het normale gebruik niet beïnvloeden ► Reparaties en vervangingen verlengen of vernieuwen de geldigheidsduur van deze commerciële garantie niet ► De vervangen onderdelen worden eigendom van Werku® ► Indien de koper dit product naar de Technische Dienst stuurt en deze niet voldoet aan de voorwaarden van deze commerciële garantie, zijn alle onkosten en transport risico's voor de koper ► Deze commerciële garantie is alleen geldig op het grondgebied van de Europese Unie ► Het bedrijf dat verantwoordelijk is voor de naleving van deze Werku® commerciële garantie is Rico-Yáñez SA.

TECHNISCH ADVIES.

► De technische afdeling van Werku® staat tot uw beschikking om eventuele vragen op te lossen die u mocht hebben met betrekking tot zijn producten ► Als u contact wilt opnemen met ons team, stuur dan een e-mail naar info@werku.com ► Werku® is een commerciële merk van Rico-Yáñez SA.

DECLARAÇÃO CONFORMIDADE CE.

► Werku® declara que a pistola de pintar **WK500740** corresponde às Directivas e Normativas Europeias 2006/42/CE e EN1953:1998.



La Coruña, 01/01/2015.

Luís Casal

Director Técnico

CARACTERÍSTICAS TÉCNICAS.

► Compressor 1.5 hp ► Pressão trabalho 3-4 bar ► Pressão máxima 8 bar ► Entrada ar 1/4”
► Transferência pintura > 70% ► Consumo ar 175 l/min ► Diâmetros mangueira 8 x 15 mm
► Diâmetro passagem fluido 1.7 mm ► Capacidade depósito 600 ml ► Pesolíquido 0.7 kg.

INSTRUÇÕES DE SEGURANÇA.

► Leia todos os avisos de segurança e todas as instruções ► Não seguir todas as advertências e as instruções listadas abaixo pode resultar em choque eléctrico, incêndio e/ou ferimento grave ► Manter todos os avisos e as instruções para referência futura ► Os acidentes poderam evitar-se em muitos casos dando-se conta de uma situação perigosa antes de que se produza, e observando fielmente os procedimentos de segurança apropriados ► Não utilize nunca esta pistola de pintar para aplicações que não sejam as especificadas neste manual.

SEGURANÇA DO ÁREA DE TRABALHO.

► Manter a área de trabalho limpa e bem iluminada ► As áreas desorganizadas e escuras provocam acidentes ► Não opere ferramentas pneumáticas em atmosferas explosivas, como na presença de líquidos, gases ou poeiras inflamáveis ► Manter longe do alcance das crianças e curiosos enquanto estiver operando uma ferramenta pneumática ► As distrações podem fazer você perder o controle.

SEGURANÇA PESSOAL.

► Esteja alerta, observe o que está fazendo e use o bom senso ao operar uma ferramenta pneumática ► Não use a ferramenta quando estiver cansado ou sob a influência de drogas, álcool ou medicamentos ► Um momento de

desatenção enquanto opera uma ferramenta pode causar ferimentos graves.

USE EPIS.

► Use óculos protetores según EN149 ► Use máscaras protetores según EN149 ► Se o tipo de trabalho a realizar assim o exigir, utilize outros EPIs específicos.

NÃO TRABALHE DE PUNTILHAS.

► Mantenha seus pés no chão e equilíbrio em todos os momentos ► Isso permite melhor controle da ferramenta em situações inesperadas.

USAR ROUPA APROPRIADA.

► Não use roupas folgadas ou jóias ► Manter o cabelo, roupas e luvas longe das peças móveis ► Roupas folgadas, jóias ou cabelos longos podem ser agarradas por partes ► Se houver dispositivos para conexão através de extracção e colecta de pó, verifique se eles estão conectados e usados correctamente ► O uso destes dispositivos podem reduzir os riscos relacionados à poeira.

ACOPLAMENTOS E TIPO DE AIRE.

► Os acoplamentos rápidos se devem utilizar para a conexão com o sistema de ar comprimido e o manguito macho não estanco, deve-se instalar na pistola de pintar de maneira que não fique ar comprimido depois da desconexão ► Não utilize nunca botijões de gás ► Não utilize nunca botijões de oxigênio, gases combustíveis, etc. como fonte de propulsão desta pistola de pintar ► A utilização destes gases ou de outros gases engarrafados é perigosa, já que a pistola de pintar poderia explodir ► Utilize somente ar comprimido limpo, seco e regulado.

PRESSÃO MÁXIMA.

► A pistola de pintar só se deve conectar a uma fonte de ar comprimido se a pressão não sobrepasa mais de um 10% a pressão máxima admissível da pistola de pintar; no caso de pressões mais elevadas se deve instalar uma válvula redutora de pressão, que inclua uma válvula de segurança águas abaixo, no fornecimento de ar comprimido.

NÃO APONTE COM A PISTOLA DE PINTAR.

▶ Não aponte nunca com ele para si mesmo nem para outras pessoas ▶ Não jogue nunca com a pistola de pintar, trate a pistola de pintar como unha ferramenta de trabalho.

GUARDE AS FERRAMENTAS PNEUMATICAS.

▶ Guarde as ferramentas fora do alcance das crianças e não permitir o manuseamento de ferramentas pneumáticas para as pessoas não familiarizadas com as ferramentas ou com estas instruções. ▶ As ferramentas pneumáticas são perigosas nas mãos de utilizadores inexperientes.

MANUTENÇÃO.

▶ Verifique as partes móveis de desalinhamento, não há peças quebradas ou outras condições que podem afectar o funcionamento das ferramentas pneumáticas ▶ As ferramentas pneumáticas são reparadas antes da utilização, quando estão danificadas ▶ Muitos acidentes são causados por ferramentas pneumáticas sem manutenção ▶ Use ferramentas pneumáticas, acessórios e pontas de ferramentas, etc de acordo com estas instruções e na forma prevista para o tipo particular da ferramenta, levando em conta as condições de trabalho e o trabalho a desenvolver ▶ O uso da ferramenta pneumática para outras aplicações que não foram previstas, pode resultar em uma situação perigosa ▶ Verifique a sua ferramenta reparada por um serviço oficial de reparação Werku® usando peças de substituição idênticas ▶ Isso irá garantir a segurança da ferramenta seja mantida.

VIGIE O BOM ESTADO DA PISTOLA DE PINTAR.

▶ Verifique se os parafusos da pistola de pintar estão todos perfeitamente apertados ▶ Em climas frios ou quando a pistola de pintar tenha estado sem uso durante muito tempo, deixe que a pistola de pintar aqueça um pouco fazendo-a funcionar em vazio durante uns minutos para permitir uma perfeita lubrificação dos componentes internos ▶ Certifique-se que os possíveis acessórios instalados estão perfeitamente assentes na posição correcta.

ANTES DE COMEÇAR A TRABALHAR.

▶ Certifique-se que se encontra firmemente apoiado ▶ Certifique-se que não há ninguém debaixo da zona de influência da pistola de pintar quando levar a cabo trabalhos em zonas elevadas ▶ Afaste as mãos das partes em movimento da pistola de pintar.

DURANTE O FUNCIONAMENTO.

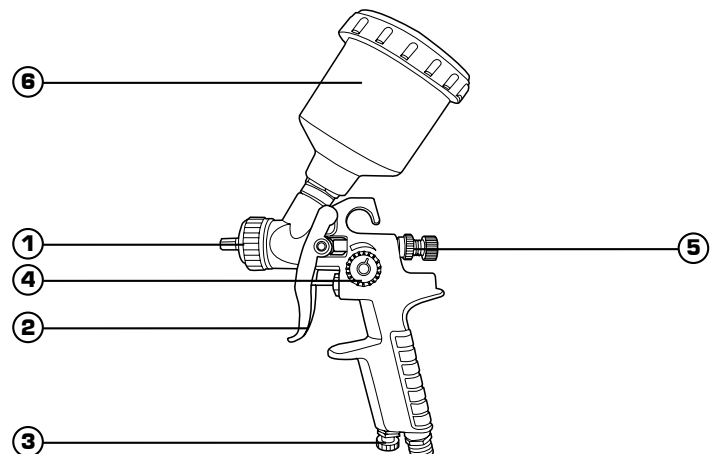
▶ Não deixe a pistola de pintar a funcionar sem tela bem fixa ▶ Coloque-o em funcionamento quando tiver a certeza que está perfeitamente controlado ▶ Não aponte a pistola de pintar a ninguém durante o funcionamento ▶ A pistola de pintar produzirá vibrações durante o funcionamento ▶ Os parafusos podem afrouxar progressivamente podendo causar avarias ou acidentes ▶ Afaste as mãos das partes em movimento da pistola de pintar.

AO TERMINAR DE TRABALHAR.

▶ Não toque nos acessórios instalados na pistola de pintar após a sua utilização ▶ Pode estar muito quente e provocar queimaduras ▶ Alguns materiais sobre os quais trabalhará podem conter químicos ou componentes que podem ser tóxicos ▶ Tenha cuidado para prevenir a inalação destas substâncias ou o contacto com a pele ▶ Utilize os EPIs desenhados para o prevenir e proteger destas incidencias.

DESCRIÇÃO DO PRODUTO.

▶ A pistola de pintar foi desenhada para realizar trabalhos de pulverização de pintura com ar a pressão ▶ Observe este esquema para se familiarizar com a pistola de pintar antes de a utilizar.



1. Regulador direcção leque.
2. Gatilho.
3. Regulador pressão ar.
4. Regulador leque.
5. Regulador passagem fluido.
6. Depósito.

INSTRUÇÕES DE USO.

► Antes de pôr a funcionar a pistola de pintar, é aconselhável ler completa e minuciosamente todas as instruções ► Do mesmo modo, é preciso ter também em conta as normas para a prevenção de acidentes, os regulamentos e directrizes para os centros de trabalho, bem como as leis e restrições vigentes ► A pistola de pintar deve ser utilizada unicamente por pessoas preparadas adequadamente para trabalhar com el e exclusivamente para os fins previstos.

COMPRESSOR.

► Utilize unicamente como fonte de alimentação um compressor de ar ► A pistola de pintar foi desenhada para funcionar com compressor de ar, portanto, nunca utilize dióxido de carbono, oxigênio ou outro gás de botijas.

FUNCIONAMENTO.

► O ar comprimido necessário para pulverizar carrega-se pela entrada de ar, que está aparafusada ao punho da pistola de pintar (1) ► Ao accionar o gatilho, abre-se a válvula de ar até ao primeiro ponto de pressão (controlo prévio de ar) (2) ► Ao continuar a apertar o gatilho, a agulha de pintura sai da passagem de fluido (3) ► O fluido meio sai então, pela força da gravidade, sem pressão nenhuma, sendo pulverizado pelo ar comprimido (4).

PASSAGEM DO FLUIDO.

► O regulador de passagem de fluido ajusta a quantidade de pintura pulverizada (5) ► Para retirar mais quantidade de tinta rode o regulador de passagem de fluido para a esquerda (6) ► Para retirar menos quantidade de tinta rode o regulador de passagem de fluido para a direita (7).

REGULADOR DE LEQUE.

► O regulador de leque ajusta a amplitude pulverizadora da pistola de pintar ► Rode o regulador de leque para a direita para um leque mais abert

to ou para a esquerda para um leque mais apertado (8, 9) ► O regulador de direcção de leque pode girar até um total de 360°, ao desapertar, poderá orientar o leque como desejar.

POSTA EM FUNCIONAMENTO.

► Ligue o regulador de passagem de fluido no máximo (5) ► Ligue a pistola de pintar à rede de ar comprimido (1) ► Accione o gatilho verificando primeiro a saída de ar e depois a do produto (2) ► A pistola de pintar deve de ser ajustada segundo o tipo de tinta utilizada ► Abra o regulador de passagem de fluido até que a pulverização seja uniforme.

IMPORTANTE.

► O uso de produtos que contenham hidrocarbonetos halogenados pode originar reacções químicas em forma de explosão ► Ao utilizar dissolventes e detergentes com base em hidrocarbonetos halogenados, como 1,1,1-tricloroetano e cloreto de metileno, pode haver reacções químicas no copo, a pistola e as peças galvanizadas (o 1,1,1-tricloroetano em presença de vestígios de água produz ácido clorídrico) ► Recomendamos o uso de produtos que não contenham estes elementos ► Antes de colocar em funcionamento a pistola de pintar e os seus acessórios, deve limpá-los com dissolvente de limpeza, para eliminar o tratamento de protecção aplicado antes da sua embalagem ► Em nenhum caso utilizar ácidos, soda (alcalis, decapantes, etc.) para a limpeza.

MANUTENÇÃO.

► Drene a condensação dos tanques compressores de ar e das mangueiras (fig.10) ► Para tal, abra as torneiras de descompressão ou outras válvulas de drenagem dos tanques ► A pistola de pintar foi desenhada para funcionar durante muito tempo com uma manutenção mínima ► O funcionamento óptimo depende do bom cuidado da pistola de pintar e de uma limpeza frequente ► A pistola de pintar deverá ser limpa de maneira eficaz mediante o uso de ar comprimido ► Utilize sempre óculos protetores quando trabalhar com ar comprimido ► Se não poder utilizar ar comprimido, retire as poeiras da pistola de pintar com uma escova ► Alguns produtos de limpeza e dissolventes danificam os componentes de plástico, entre os quais se destaca a gasolina, o tetraclorometano, os dissolventes de limpeza clorados, o amoníaco,

os produtos de limpeza clorados, e os produtos de limpeza domésticos que contêm amoníaco ► Não utilize nenhum dos produtos anteriormente mencionados para limpar a pistola de pintar

PROTECÇÃO DO MEIO AMBIENTE.

► Os materiais e os componentes que foram usados para fazer este produto podem ser reutilizados e reciclados ► Werku® está aderido a um Sistema Integrado de Gestão que está encarregado da correta eliminação dos resíduos deste produto ► Não elimine este produto com os resíduos domésticos ► Werku® oferece aos seus clientes um serviço livre de colecção destes resíduos nos seus pontos de venda, nos pontos da colecção estabelecidos pelo Sistema Integrado de Gestão ou no ponto de reciclagem da sua cidade.

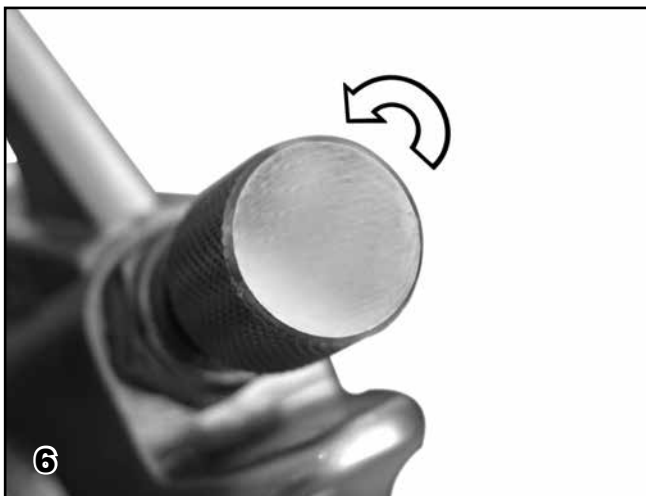
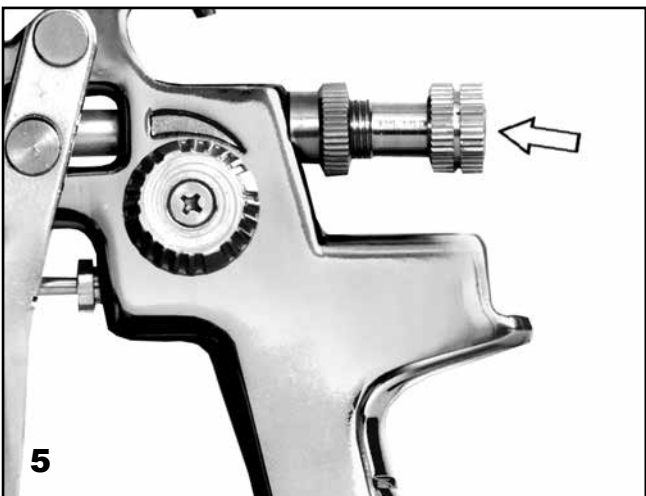
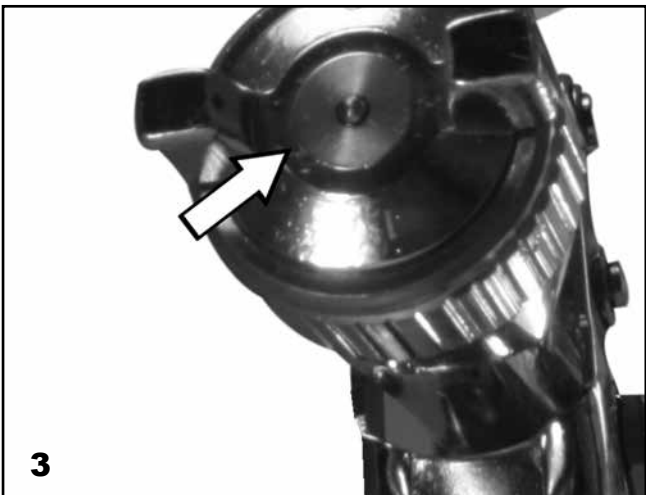
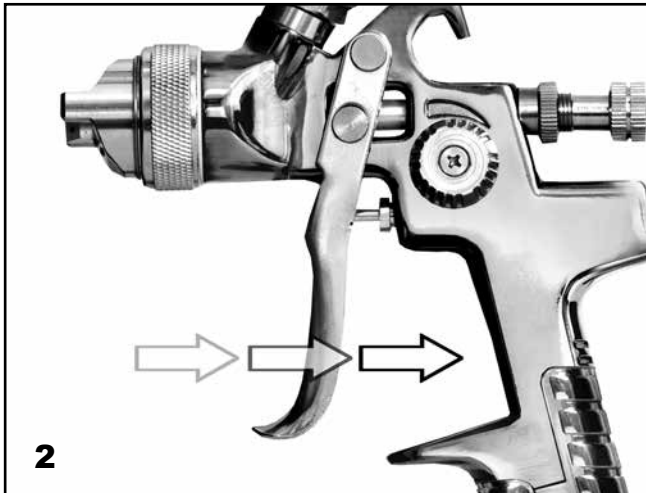
GARANTIA E SERVIZO TÉCNICO.

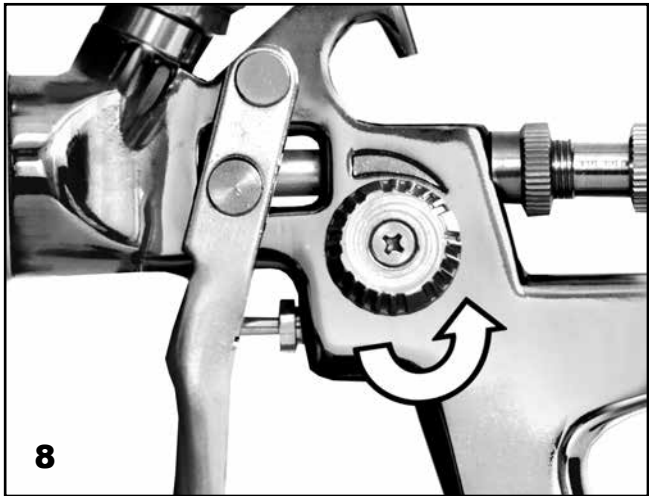
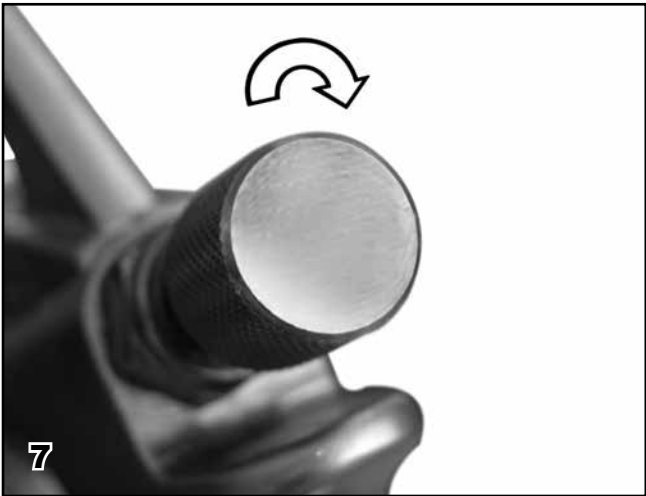
► Para além da garantia legal, a Werku® oferece uma garantia comercial adicional ► Esta garantia comercial cobre a reparação dos defeitos resultantes de erros nos materiais ou na fabricação ► Para isso é imprescindível que os defeitos ocorram dentro do período de validade ► O consumidor tem direito á reparação gratuita dos defeitos que a Werku® reconheça como incluídos na garantia comercial (custos de envio, mão de obra e materiais incluídos), cabendo á Werku®, optar pela reparação da escada defeituoso ou pela substituição (substituindo, se for necessário, por um modelo posterior) ► Esta garantia comercial não afecta os direitos do consumidor estabelecidos pela lei de acordo com a Directiva 1999/44/CE ► O período de validade desta garantia comercial é de 24 meses ► Caso o produto se destine a um uso profissional ou industrial, o período de validade é de 12 meses ► O período de validade começa na data de aquisição pelo primeiro consumidor ► Esta data está reflectida na factura ou ticket de compra ► A acção para reclamar o cumprimento desta garantia comercial prescreve seis meses a contar do fim do período de validade ► A reclamação em virtude desta garantia comercial deve apresentar-se ao distribuidor ou ao Serviço de Assistência Técnica ► Para isso é imprescindível apresentar esta garantia devidamente preenchida e selada pelo distribuidor, juntamente com a factura ou o ticket de compra ► Para qualquer informação referente a esta

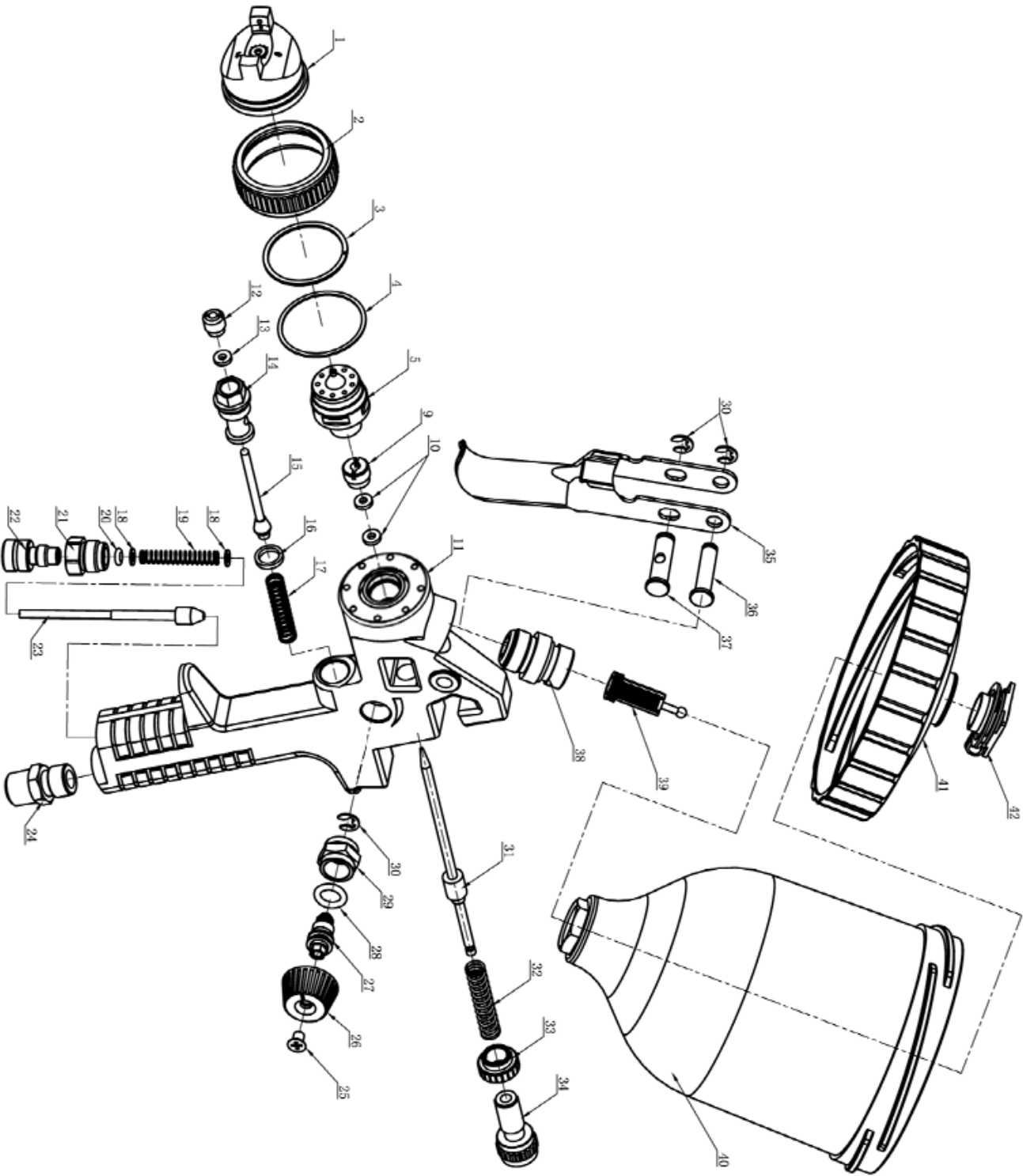
garantia comercial o comprador e/ou o distribuidor pode pôr-se em contacto com o Serviço de Assistência Técnica, através do telefone +34 981 648 119, ou por correio electrónico info@werku.com ► Ficam excluída desta garantia comercial os defeitos que tenham sido causados por peças desgastadas pelo uso ou outro tipo de desgaste natural, os defeitos causados pela inobservância ou incumprimento das instruções de uso e funcionamento, ou de aplicações não conformes com o uso a que se destina este producto, ou de factores ambientais anormais, ou de sobrecarga, ou de manutenção ou limpeza inadequadas, defeitos causados pelo uso de acessórios, complementos ou peças de substituição que não sejam peças originais da Werku®, o producto total ou parcialmente desmontado, modificado ou reparado por pessoal alheio ao Serviço de Assistência Técnica o as irregularidades mínimas e irrelevantes para o uso e funcionamento adequado ► As reparações e substituições não prolongam nem renovam o prazo de validade desta garantia comercial ► As peças substituídas passam a ser propriedade da Werku® ► Se o comprador enviar o producto para o Serviço de Assistência Técnica, não cumprindo as condições desta garantia comercial, as despesas e riscos de transporte correm a cargo do comprador ► Esta garantia comercial é válida dentro do território da União Europeia ► A empresa responsável pelo cumprimento desta garantia comercial da Werku® é Rico-Yáñez SA.

ASSESSORAMENTO TÉCNICO.

► A Werku® põe a sua disposição seu departamento técnico para resolver qualquer dúvida que possa surgir sobre seus produtos ► Em caso que deseje estabelecer contato com nossa equipe, remeta um correio eletrônico à direção info@werku.com ► Werku® é uma marca comercial de Rico-Yáñez SA.









GUARANTEE

►Service under guarantee is only provided upon presentation of this signed and stamped guarantee, together with the invoice or receipt.

GARANTÍA

►Para hacer uso del servicio de garantía es imprescindible la presentación de esta garantía debidamente cumplimentada y sellada, junto con la factura o ticket de compra.

GARANTIE

►Service unter Garantie ist nur versehen bei Vorlage dieses unterzeichneten und abgestempelten Garantie, zusammen mit der Rechnung oder Quittung.

GARANTIE

►Service sous garantie est fournie uniquement sur présentation de la garantie signée et cachetée, avec la facture ou le reçu.

GARANTIE

►Service onder garantie wordt alleen verstrekt op vertoon van deze getekende en gestempelde garantie, samen met de factuur of kassabon.

GARANTIA

►A assistência técnica em garantia so e prestada mediante a prestação desta garantia devidamente cumprimentada e selada, junto com a fatura ou ticket de compra.

ITEM NUMBER
NÚMERO ARTÍCULO
ARTIKELNUMMER
NUMÉRO D'ARTICLE
ARTIKELNUMMER
NÚMERO ARTIGO

WK500740

DATE OF PURCHASE
FECHA DE COMPRA
KAUFDATUM
DATE D'ACHAT
DATUM VAN AANKOOP
DATA DE COMPRA

_____ / _____ / _____

DISTRIBUTOR STAMP
SELLO DISTRIBUIDOR
VERTRIEBER STEMPEL
DISTRIBUTEUR CACHET
DEALER STEMPEL
CARIMBO DISTRIBUIDOR

